



US



EU



Product description

The e-Box IV motorized mobile stand can support displays up to max. 105" (in 21:9 format) with max. VESA 800x600. With 65cm / 25.6" of smooth height adjustment, the display can be positioned at the ideal height for the audience and the presenter. The open design wheelbase allows easy access to the display screen and allows access for people in wheelchairs. Four sturdy 10cm / 4in double caster wheels ensure easy maneuverability over various flooring surfaces and through doorways, while adding extra stability. There are a range of accessories for the e-Box IV to promote greater usability, such as whiteboard side panels, laptop shelves, camera brackets, etc.

Article number	Product Description	Power cable
487A24001 (US)	e-Box IV Mobile motorized height adjustable mount- US	USA/Can type A
487A24002 (EU)	e-Box IV Mobile motorized height adjustable mount- EU	Europe type F

Specifications

Features

- High speed electric motors (50mm/sec) provide quick and smooth height adjustment
- Integrated anti-collision system for increased safety
- VESA mount included for displays up to 105" max. VESA bracket size 800x600
- Wired remote control and remote bracket, included
- ADA compliant, open design wheelbase for easy access to the display
- Four 10cm / 4in swivel wheels ensure easy maneuverability. Two wheels have a locking feature

Technical specifications

- Max. VESA: 800 x 600 mm
- Max. display size: 98 in (16:9/16:10) or 105 in (21:9)
- Load capacity: 140 kg / 308 lb
- Vertical travel: 650 mm / 25.6 in
- Speed / sec: 50 mm / 2 in

Electrical specifications

- 110-240V, 50-60Hz; 10% duty cycle (6min/hour)
- Power consumption max 400W; Stand-by power consumption 0,1 W

Materials and finish

- Frame: steel
- Finish: textured powder coating, color black (RAL9005)

Certifications

- CE/UKCA
- IEC/EN/UL 62368-1, CSA C22.2 No. 62368-1 (pending)
- ADA compliant
- TAA compliant



BalanceBox®

Article number 487A24xxx

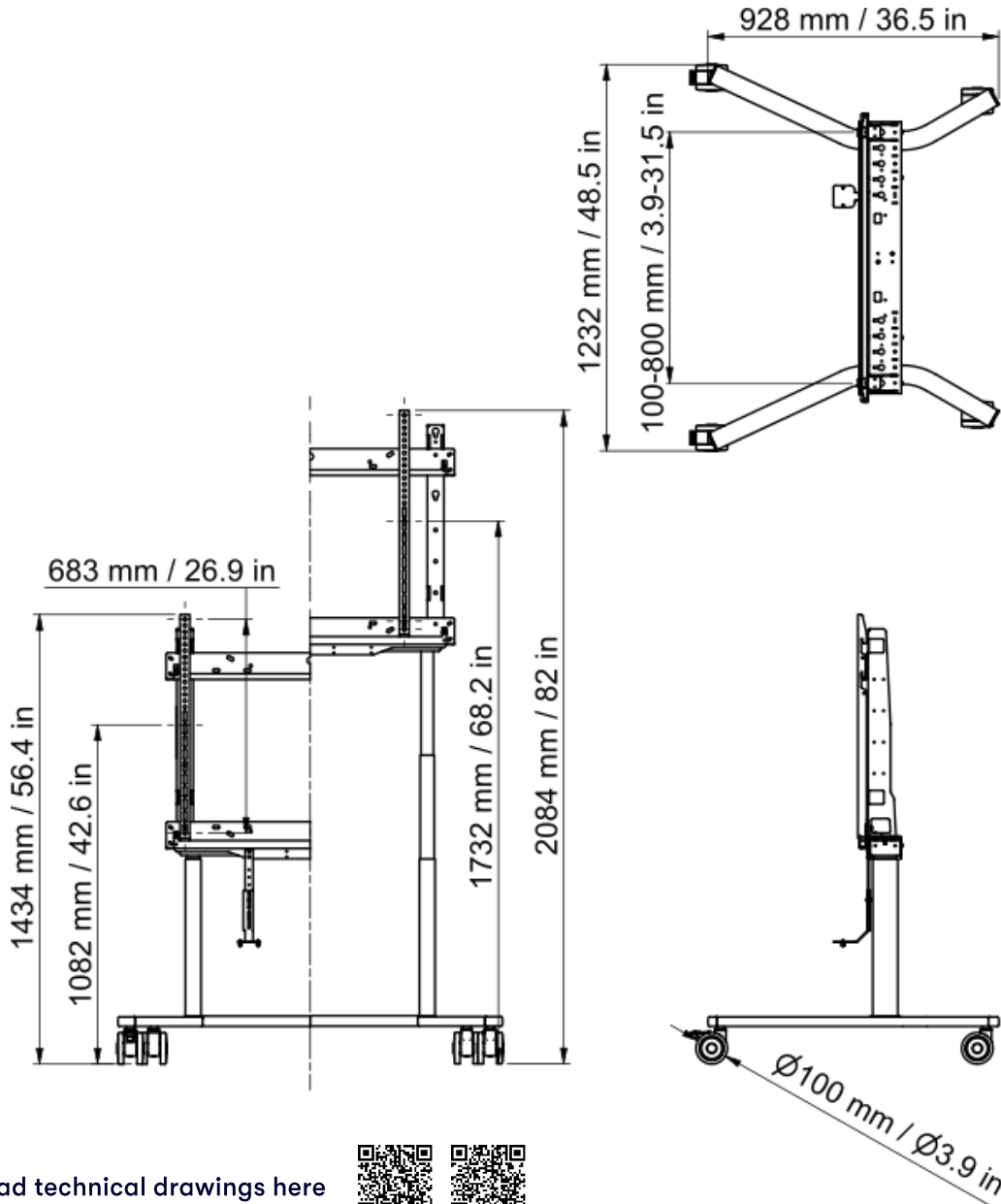
e-Box IV Mobile motorized height adjustable mount



US



EU



Download technical drawings here



EU

US

Weights & dimensions

	Shipping dimensions		Pallet quantity: 16 each	
Height	255 mm	10.04 inch	1172 mm	46.14 inch
Width	298 mm	11.73 inch	1000 mm	39.37 inch
Depth	950 mm	37.40 inch	1200 mm	47.25 inch
Shipping weight	± 43 kg	± 95 lb	± 710 kg	± 1566 lb
Product weight	± 42 kg			

*Full pallet shipping weight includes pallet



US



EU



Accessoires

Article number	Product description
481B07	Winx 4b – 75” whiteboard frame for e-Box III and e-Box IV
988B83	75” Whiteboard (1 pc) for use with 481B07 whiteboard frame
481B08	Winx 4b – 86” whiteboard frame for e-Box III and e-Box IV
988B84	86” Whiteboard (1 pc) for use with 481B08 whiteboard frame
481A54001	Conferencing camera & speaker bar bracket
481B17	Front mounting laptop tray for e-Box IV
481B18	Front mounting keyboard tray for e-Box IV
481A53001	Wide VESA Bracket up to 1200 x 800
481B20	Floorplate conversion set for e-Box IV
481A73	Fixed Laptop Tray