



US



EU



Product description

The e-Box IV motorized wall mount, with a load capacity of 140 kg / 308 lb., supports displays up to 105" (in 21:9 format) and max. VESA 800x600. The mount offers 98cm / 38.6" of smooth and fast height adjustment (50mm/sec) and features anti-collision for extra safety. The mount comes standard with an adjustable wall bracket that allows for safe and quick installation to any wall, including stud walls (16" and 24" mounting integrated). There is a range of accessories for this mount, including whiteboard side panels, laptop shelves, etc., to promote full user engagement.

Article number	Product Description	Power cable
487A23001 (US)	e-Box IV Motorized height adjustable wall mount USA	USA/Can type A
487A23002 (EU)	e-Box IV Motorized height adjustable wall mount EU	Europe type F

Specifications

Features

- Dual column design with easily accessible VESA mount
- High speed electric motors for quick and smooth height adjustment
- Integrated anti-collision system for increased safety
- VESA mount included. VESA size of 800x600
- Integrated bracket to secure the wired remote control to the wall mount
- Adjustable wall mounting brackets with integrated 16" / 24" stud wall mounting pattern
- Stabilizing legs with integrated floor support, for leveling of the e-Box IV motorized wall mount

Technical specifications

- Max. VESA: 800 x 600 mm
- Max. display size: 98 in (16:9/16:10) or 105 in (21:9)
- Load capacity: 140 kg / 308 lb
- Vertical travel: 980mm / 38.6 in
- Speed / sec: 50 mm / 2 in

Electrical specifications

- 110-240V, 50-60Hz; 10% duty cycle (6min/hour)
- Power consumption max 400W; Stand-by power consumption 0,1 W

Materials and finish

- Frame: steel
- Finish: textured powder coating, color black (RAL9005)

Certifications

- CE/UKCA
- IEC/EN/UL 62368-1, CSA C22.2 No. 62368-1 (pending)
- TAA compliant

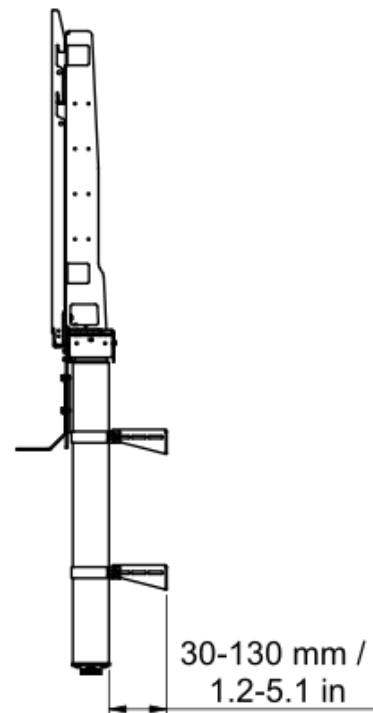
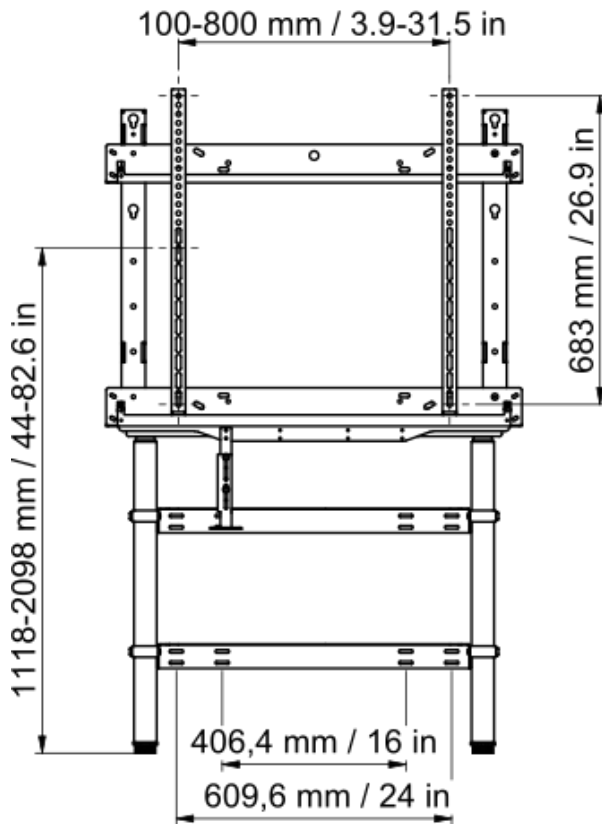
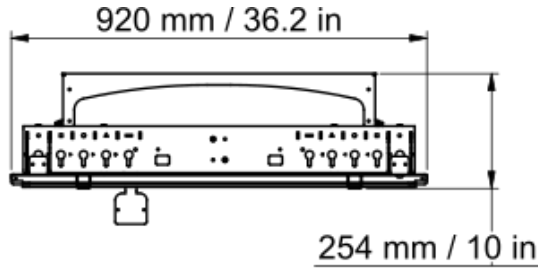




US



EU



Download technical drawings here



EU



US

Weights & dimensions

Shipping dimensions				Pallet		Qty: 20		
Height	200	mm	7.9	inch	1144	mm	45.0	inch
Width	298	mm	11.7	inch	1000	mm	39.4	inch
Length	946	mm	37.2	inch	1200	mm	47.2	inch
Shipping weight	± 41,4	kg	± 91.2	lb	± 824	kg*	± 1816	lb*
Product weight	± 39,9	kg	± 87.9	lb				

*Full pallet shipping weight includes pallet

BalanceBox®

Article number 487A23xxx

e-Box IV Motorized height adjustable wall mount



US



EU



Accessoires / Compatible with

Article number	Product description
481B07	Winx 4b –75” whiteboard frame for e-Box III and e-Box IV
988B83	75” Whiteboard (1 pc) for use with 481B07 whiteboard frame
481B08	Winx 4b – 86” whiteboard frame for e-Box III and e-Box IV
988B84	86” Whiteboard (1 pc) for use with 481B08 whiteboard frame
481A54001	Conferencing camera & speaker bar bracket
481B17	Front mounting laptop tray for e-Box IV
481B18	Front mounting keyboard tray for e-Box IV
481A53001	Wide VESA Bracket up to 1200 x 800
481B20	Floorplate conversion set for e-Box IV
481A93	Winx 4b Fixed Whiteboard Expansion Set