



Product description

The e·Box® II Mobile Stand is a motorized height-adjustable mount designed for displays up to 98" and 140 kg (309 lb). Effortlessly adjust the display height with a wired remote featuring three customizable presets. With 650 mm / 25.6 inch of travel, it ensures full accessibility for all users, including those in wheelchairs. Built-in safety features, like dual anti-collision technology, ensure a safe setting. The large 100 mm (4") wheels create smooth mobility, and the optional lockable cover provides tamper free storage space.

Article number	Product Description	Power cable
487A11011 (US)	E-BOX II MOTORIZED HEIGHT ADJUSTABLE MOBILE STAND USA	USA/Can type A
487A11011 (EU)	E-BOX II MOTORIZED HEIGHT ADJUSTABLE MOBILE STAND EU	Europe type F

Technical specifications:

- Maximum weight capacity: 140 kg / 308 lb
- Travel: 650 mm / 25.6 in; Speed: 38 mm/sec / 1.5 inch/sec

Electrical specifications:

- 110-240V, 50-60Hz; 10% duty cycle (6min/hour)
- Power consumption max 300W; Stand-by power consumption 0,1 W

Material:

- Steel frame with powder coated black RAL9005 textured finish

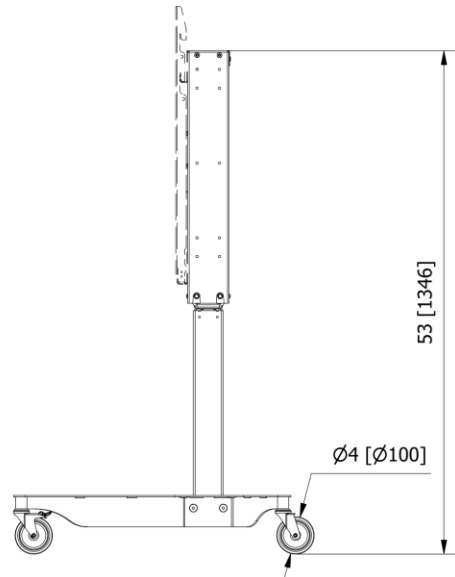
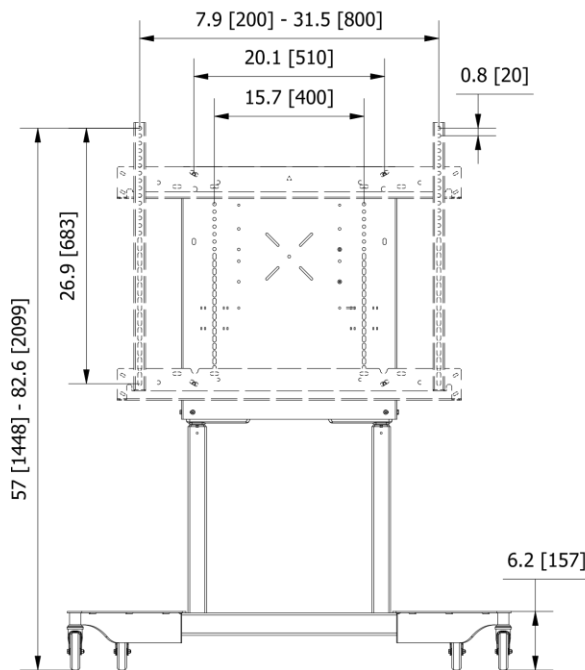
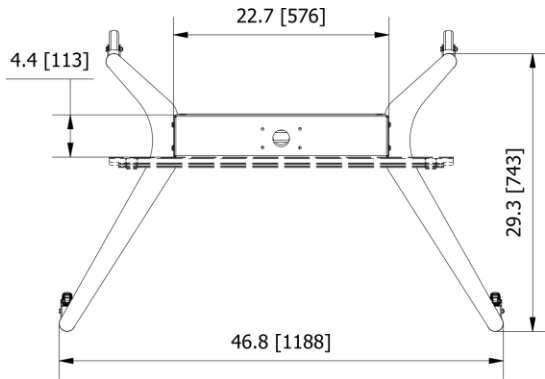
Compatibility:

- The e·Box® II Mobile Stand is compatible with flat screens up to 98" and 140 kg (309 lb).

Certificates

- CE
- UL 962
- UL-EN-CIE 62368-1





*VESA bracket 481A70 as shown in the pictures is optional

Download technical drawings here



Dimensions

	Shipping dimensions		Pallet quantity: 14 Each	
Height	264 mm	10.4 inch	2025 mm	79.7 inch
Width	400 mm	15.7 inch	800 mm	31.5 inch
Depth	600 mm	23.6 inch	600 mm	23.6 inch
Shipping weight	48,4 kg	106.7 lb	678 kg	1494 lb
Product weight	43,7 kg	96.3 lb		

BalanceBox®

Article number: 487A11011

e-Box® II Mobile Stand



US



EU



Accessories

Article number	Product description
481A53001	Wide VESA Bracket up to 1200 x 800
481A54001	Conferencing camera & speaker bar bracket
481A73	Fixed Laptop Tray
481A81	Wheels Upgrade for Mobile Stands
481A90	Universal Handle Bar
481A92	Rear Cover for e-Box
481A96002	BalanceBox® PowerPack Solution
481A119	Side Mounting Laptop Tray
481A105	Universal Bracket for Soundbar mounting
481B02	Heavy Duty Wheels for Mobile Stands