



US



EU



Product description

The e·Box® Tilt & Table is a mobile motorized height-adjustable and tiltable mount for panels up to 75". With 660 mm / 26 in of travel and 0 to 90° tilt, it ensures accessibility for all users, including wheelchair users. Because the screen can be positioned extremely low, it is ideal for young children and kindergarten.

Article number	Product description	Power cable
487A03 (US)	E-BOX TILT & TABLE MOBILE HEIGHT ADJUSTABLE STAND USA	USA/Can type A
487A03002 (EU)	E-BOX TILT & TABLE MOBILE HEIGHT ADJUSTABLE STAND EU	Europe type F

Specifications

Technical specifications

- Maximum weight capacity: 100 kg / 220 lb
- Maximum panel size: 75"
- Travel: 660 mm / 26 in; Speed: 38 mm/sec / 1.5 in/sec
- Tilt function: horizontal to vertical (90 degrees)
- 100 mm / 4 in double roll thermoplastic wheels

Electrical specifications:

- 110-240V, 50-60Hz;
- duty cycle 10% (6min/hour)
- Power consumption max 300W; Stand-by power consumption 0,1 W

Materials and finish

- Frame: steel powder coated black RAL9005 textured

Features

- 4-button wired remote control (up/down; tilt)
- VESA patterns: 600x400; 600x300; 600x200; 400x400; 400x300; 400x200

Certificates & Safety

- CE
- UL962



Compatible with

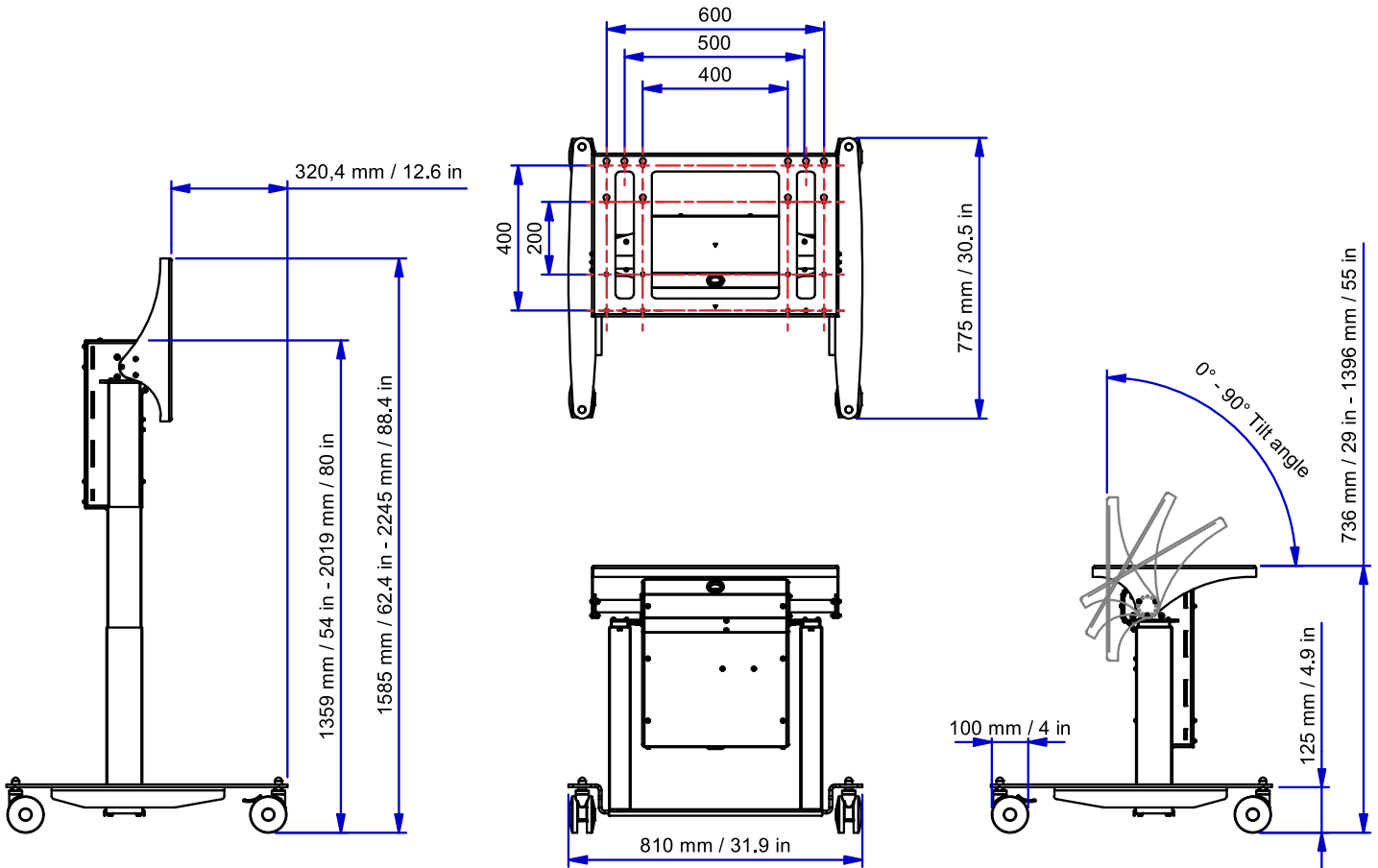
Article number	Product description
481A117	Vesa adapter set for e-Box Tilt & Table 800x600 to 200; 700x600 to 200; 300x300 to 200
481A96003	Powerpack Solution for e-Box Tilt & Table
481A96004	XL Wheels for e-Box Tilt & Table



US



EU



Download technical drawings here



EU



US

Dimensions

	Shipping dimensions		Pallet quantity: 14 Each	
Height	13.4 in	340 mm	82 in	2100 mm
Width	21.7 in	550 mm	45.2 in	1150 mm
Depth	31.9 in	810 mm	45.2 in	1150 mm
Shipping weight	±136.7 lb	±62 kg	±1970 lb	±896 kg
Product weight	±121 lb	±55 kg		