



US



EU



Product description

The e·Box® Tilt & Table is a motorized height-adjustable mount for screens up to 75" and 100 kg (220 lb). With 660 mm of travel and 90° tilt, it ensures accessibility for all users, including wheelchair users. Because the screen can be positioned extremely low, it is ideal for young children and kindergarten.

Article number	Product Description	Power cable
487A03 (US)	E-BOX TILT & TABLE MOBILE HEIGHT ADJUSTABLE STAND USA	USA/Can type A
487A03002 (EU)	E-BOX TILT & TABLE MOBILE HEIGHT ADJUSTABLE STAND EU	Europe type F

Technical specifications:

- Maximum weight capacity: 100 kg / 220 lb
- Travel: 660 mm / 26 in; Speed: 38 mm/sec / 1.5 in/sec

Electrical specifications:

- 110-240V, 50-60Hz; 10% duty cycle (6min/hour)
- Power consumption max 300W; Stand-by power consumption 0,1 W

Material:

- Steel frame with powder coated black RAL9005 textured finish

Compatibility:

- The e·Box® Tilt & Table is compatible with flat screens up to 75" and 100 kg (220 lb).

Certificates

- CE
- UL962



Accessories

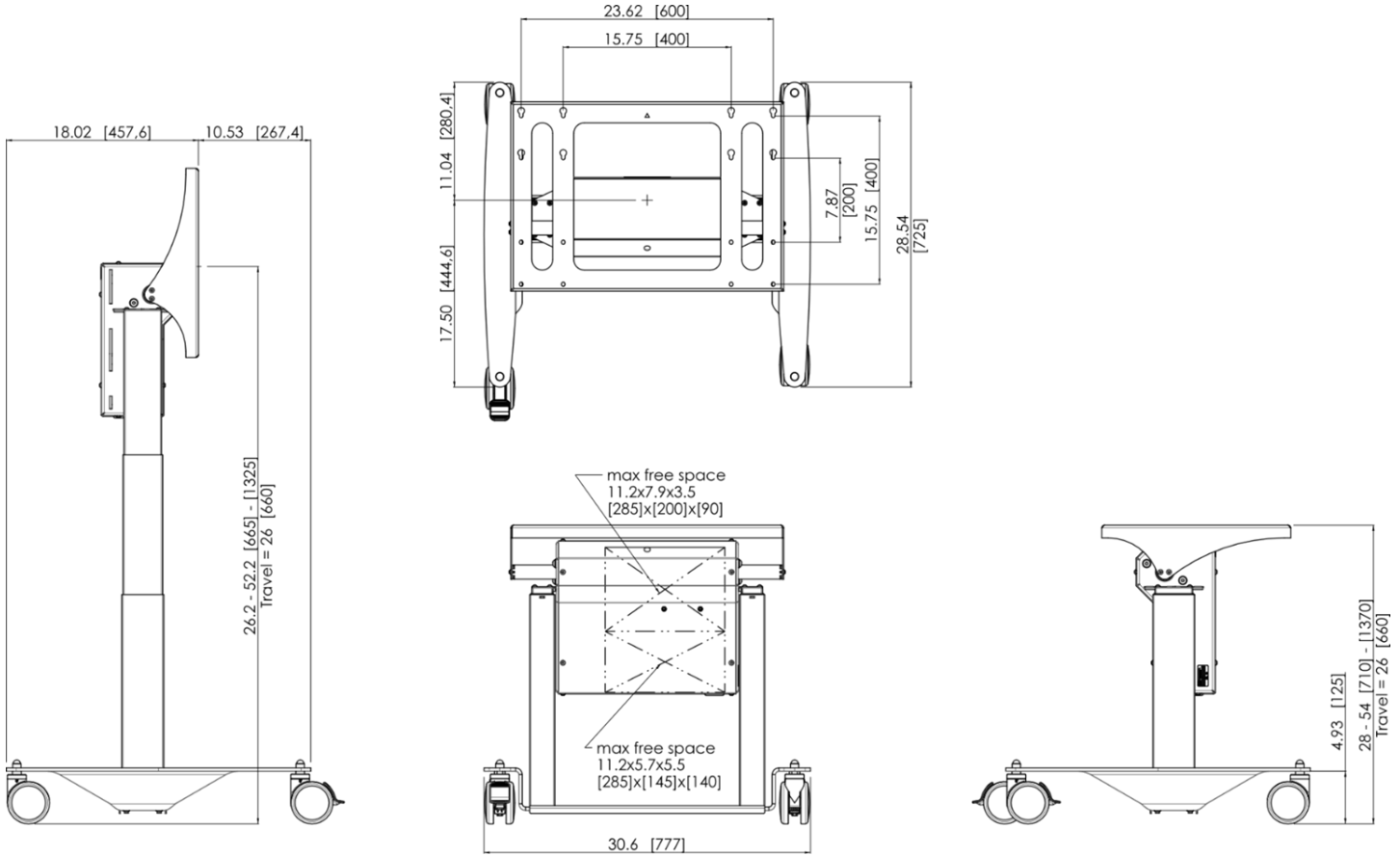
Product description	Article number
UNIVERSAL ADAPTER SET FOR VESA 600 TO 800 WIDE AND 600 HIGH	481A117
BALANCEBOX POWERPACK SOLUTION	481A96002



US



EU



Download technical drawings here



EU



US

Dimensions

	Shipping dimensions		Pallet quantity: 14 Each	
Height	13.4 in	340 mm	82 in	2100 mm
Width	21.7 in	550 mm	45.2 in	1150 mm
Depth	31.9 in	810 mm	45.2 in	1150 mm
Shipping weight	±136.7 lb	±62 kg	±1970 lb	±896 kg
Product weight	±121 lb	±55 kg		