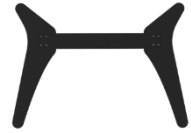




US



EU



## Product description

The floor plate for e-Box IV is designed to convert an e-Box IV Wall mount into a freestanding floor stand. In situations that do not allow for wall mounting or do not require a mobile setup, a floor stand provides a stable and safe solution. The stylish, 2-piece design fits any room and maximizes the ease of access to the display.

Article number	Product description
481B20	Floor plate for e-Box IV

## Specifications

### Materials and finish

- 2 x 15mm steel plates, powder coated black (RAL9005 textured)
- Sheet metal center bar, powder coated black (RAL9005 textured)

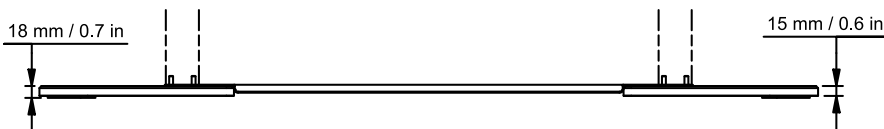
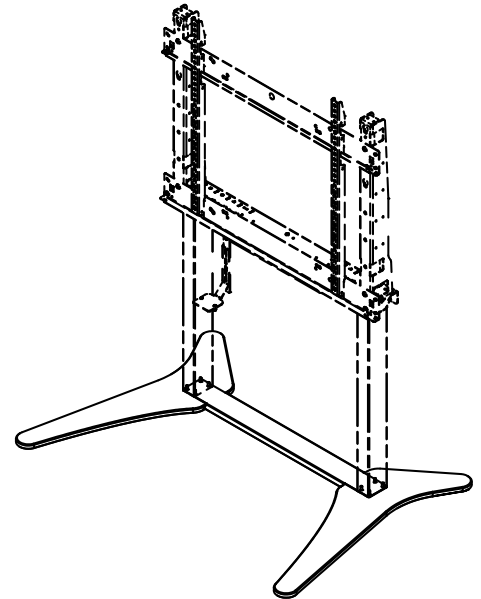
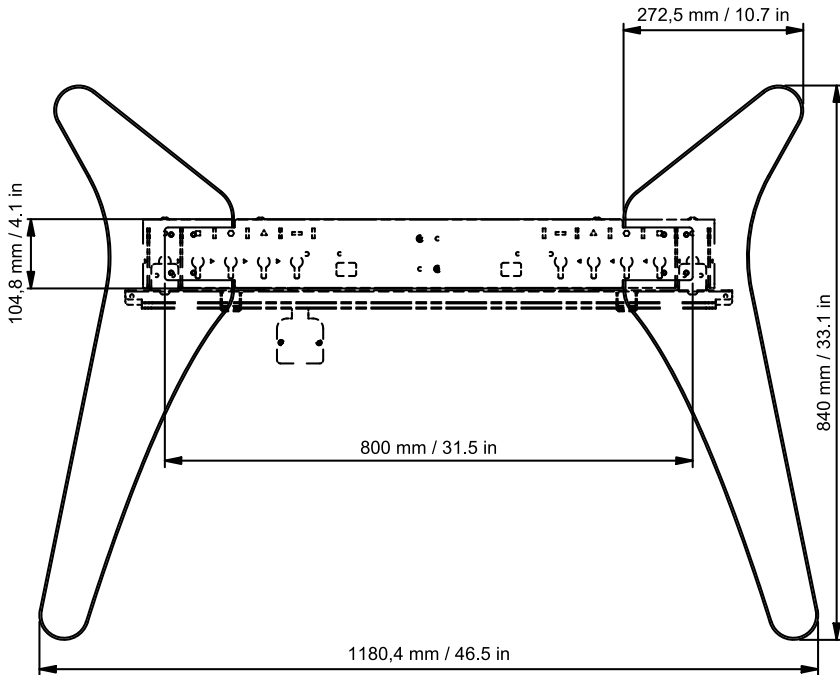
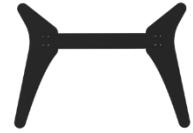
### Certifications & Safety

- CE



## Compatible with

Article number	Product description
487A23xxx	e-Box IV Motorized height adjustable wall mount



Download technical drawings here



## Dimensions

Shipping dimensions		
Height	±60 mm	±2.4 Inch
Width	±285 mm	±11.2 Inch
Length	±850 mm	±33.5 Inch
Shipping weight	±29 kg	±63.9 lb
Product weight	±26,4 kg	±58.2 lb