



Product description

The floor plate for e-Box III is designed to convert an e-Box III Wall mount into a freestanding floor stand. In situations that do not allow for wall mounting or do not require a mobile setup, a floor stand provides a stable and safe solution. The stylish, 2-piece design fits any room and maximizes the ease of access to the display.

Article number	Product description
481B15	Floor plate for e-Box III

Specifications

Materials and finish

- 15mm steel plates, powder coated black (RAL9005 textured)

Certifications & Safety

- CE



Compatible with

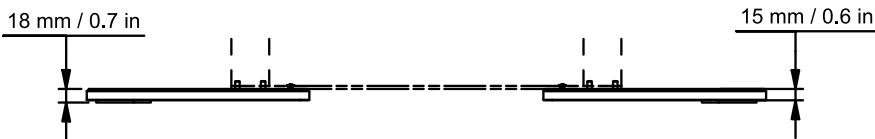
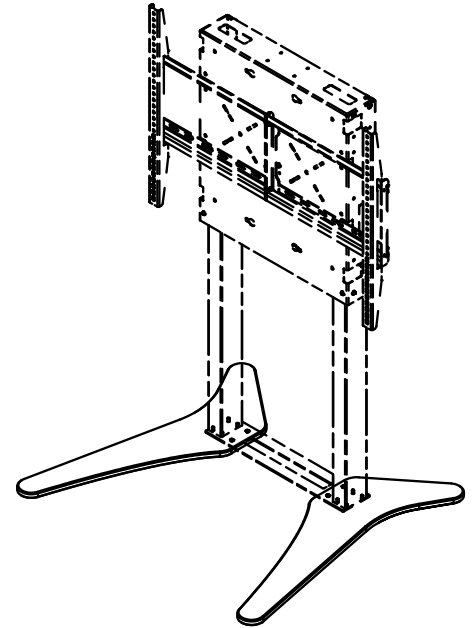
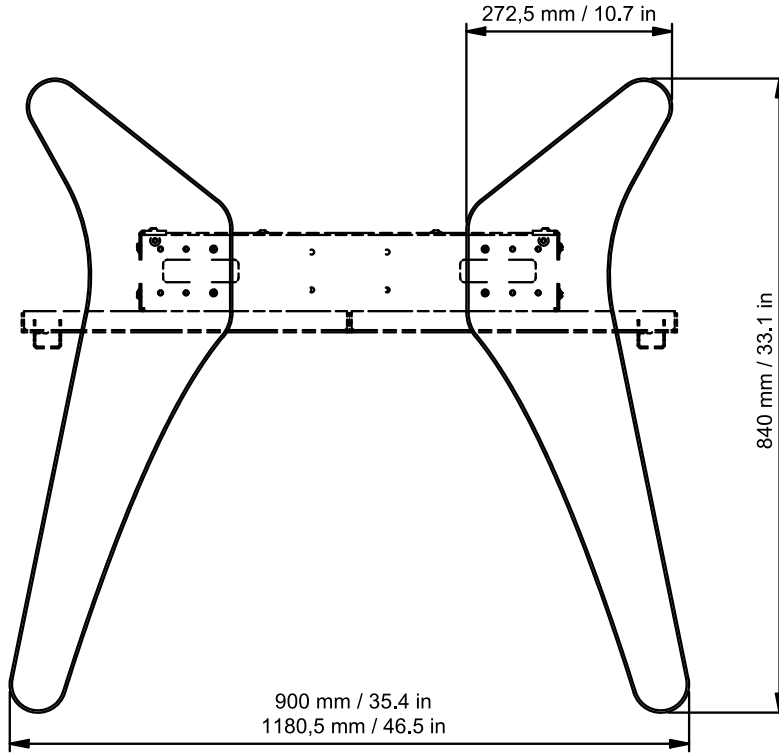
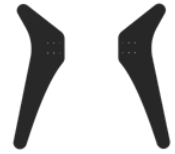
Article number	Product description
487A13xxx	e-Box III Motorized height adjustable wall mount



US



EU



Download technical drawings here



EU



US

Dimensions

Shipping dimensions		
Height	±60 mm	±2.4 Inch
Width	±285 mm	±11.2 Inch
Length	±850 mm	±33.5 Inch
Shipping weight	±27 kg	±59.5 lb
Product weight	±26,4 kg	±58.2 lb