



US



EU



Product description

The heavy-duty, \varnothing 100 mm / 4" wheels ensure the Mobile Stand Mix, the e-Box II Mobile Stand and e-Box III Mobile Stand move smoothly and steady on any surface. Installation is quick and tool-free with the included click-in pins.

Article number	Product Description
481B02	Heavy Duty Wheels for Mobile Stands

Product features:

- Maximum weight capacity is 150 kg / 330 lbs for each wheel

Check the corresponding product data sheet for the total weight capacity

Material:

- Fork, galvanized steel, color black
- Black PA rim
- Grey PU tire

Certifications

- CE



Compatible with

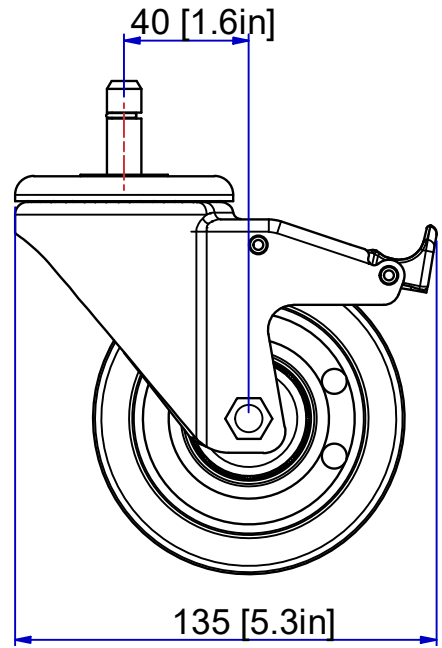
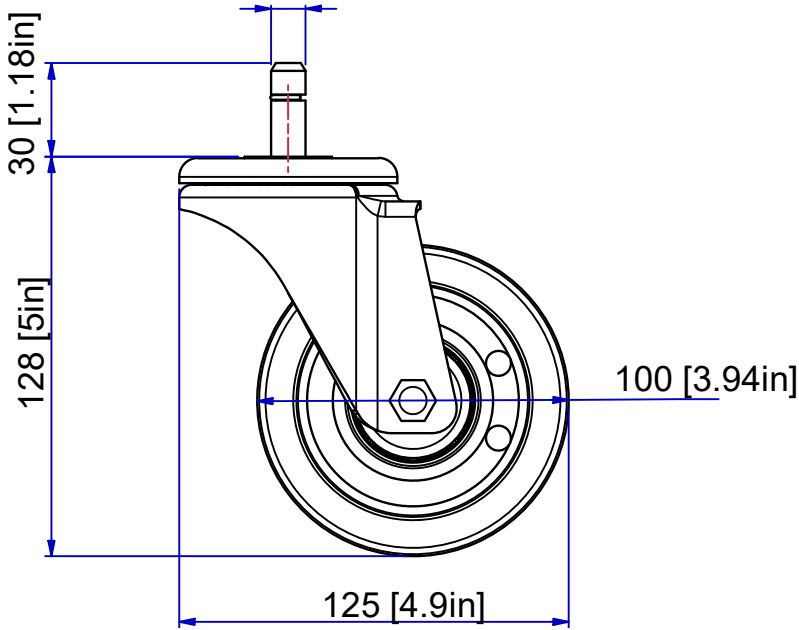
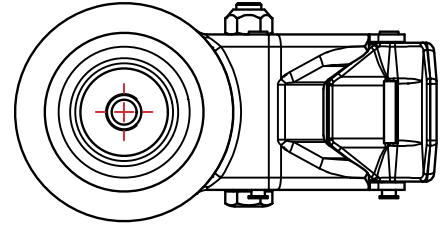
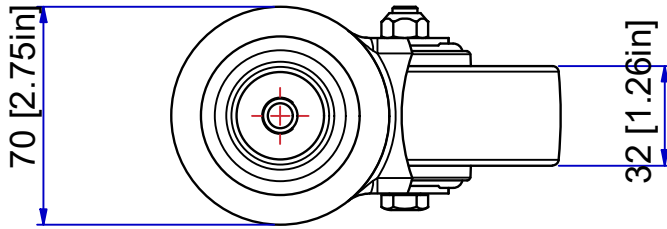
Article number	Product description
481A71001	Mobile Stand Mix for BalanceBox® 400
487A11011	e-Box II Mobile Stand
487A014001 / 487A14002	e-Box III Mobile Stand



US



EU



Download technical drawings here



EU



US

Dimensions

Shipping dimensions		
Length	350 mm	13.8 inch
Width	350 mm	13.8 inch
Height	260 mm	10.3 inch
Shipping weight	±3,5 kg	±7.7 lb
Product weight	±3,2 kg	±7 lb