



US



EU



Product description

The BalanceBox Power Pack is a lockable, sheet metal enclosure designed for the AC70P Portable Power Station (481A9900x). The enclosure mounts to the mobile base of the BalanceBox Mobile Stand Mix and e-Box II, e-Box III and e-Box Tilt & Table mobile stand. Combined with the Portable Power Station it provides mobile power for display and mobile stand.

Article number	Product Description
481A96002	PowerPack for e-Box II Mobile Stand (487A11011), e-Box III Mobile Stand (487A14001/487A14002), Mobile Stand Mix (481A71001) *Included: Lockable housing, mounting bracket and fasteners
481A96003	PowerPack for e-Box Tilt&Table (487A03) *Included: Lockable housing, mounting bracket and fasteners

Material & Finish

- Housing; Steel, powder coated, textured black (RAL9005)

Technical Specifications

- Maximum weight capacity 15 kg /33.1 lb

Certificates

- CE



Compatible with

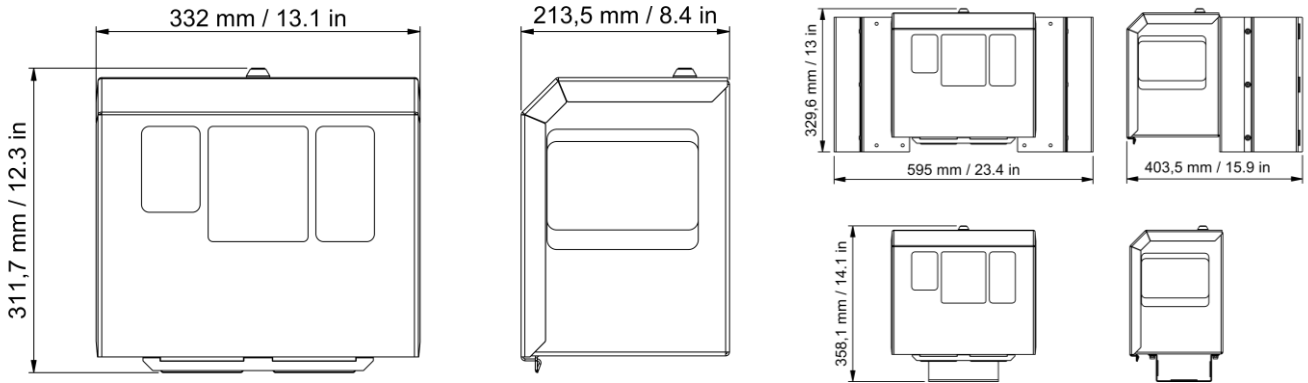
Article number	Product description
481A71001	Mobile Stand Mix
487A11011	e-Box II Mobile Stand
487A14001 / 487A14002	e-Box III Mobile Stand
487A03	e-Box Tilt&Table
481A99001	AC70P Portable Power Station US 110V 1000W 864Wh Order together with the PowerPack variant of your choice
481A99002	AC70P Portable Power Station EU 230V 1000W 864Wh Order together with the PowerPack variant of your choice



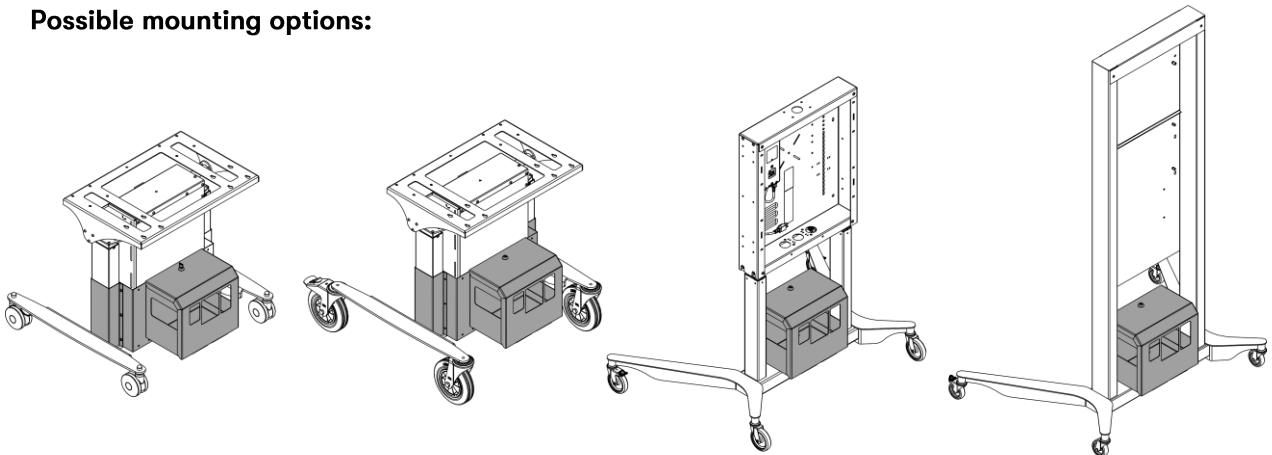
US



EU



Possible mounting options:



Download technical drawings here



EU



US

Dimensions

Shipping dimensions		
Length	360 mm	14.2 inch
Width	360 mm	14.2 inch
Height	360mm	14.2 inch
Weight	±6,3 kg	±13.9 lb

Variation	Shipping weight	
Mobile Stand Mix	±9 kg	±19.9 lb
e-Box II Mobile Stand e-Box III Mobile Stand	±9 kg	±19.9 lb
e-Box Tilt&Table	±13,5 kg	±29.8 lb