



US



EU



Product description

A steel housing with mounting solutions compatible with the specified AC70P Portable Power Station and BalanceBox® and e-Box® products.

Article number	Product Description
481A96002	PowerPack for e-Box® II Mobile Stand (487A11011) & Mobile Stand Mix® (481A71001) Included: Lockable housing, mounting bracket and fasteners
481A96003	PowerPack for e-Box® Tilt&Table (487A03) Included: Lockable housing, mounting bracket and fasteners

Material:

- Steel structural parts

Finish:

- Powder coated black RAL9005 textured

Technical Specifications

- Maximum weight capacity 15 kg /33.1 lb

Certificates

- CE



Compatible with

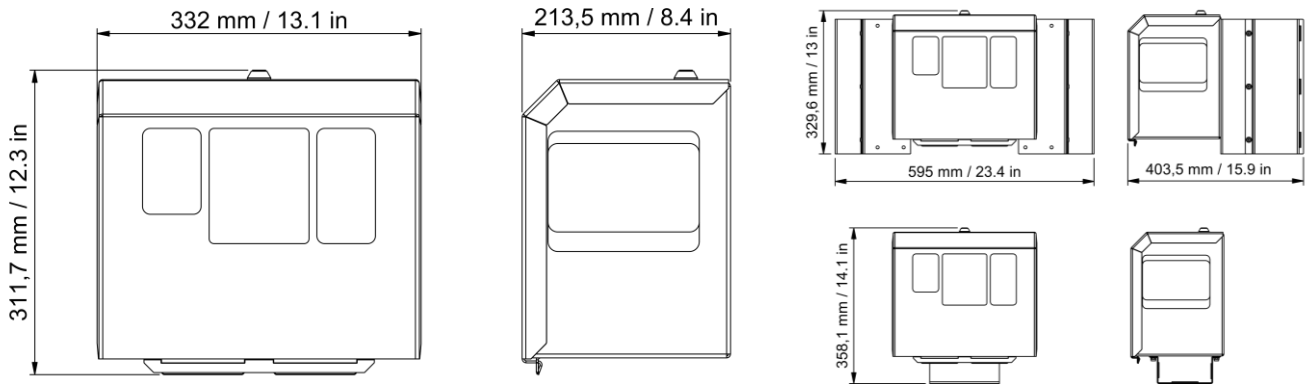
Article number	Product description
481A71001	Mobile Stand Mix®
487A11011	e-Box® II Mobile Stand
487A03	e-Box® Tilt&Table
481A99001	AC70P Portable Power Station US 110V 1000W 864Wh Order together with the PowerPack variant of your choice
481A99002	AC70P Portable Power Station EU 230V 1000W 864Wh Order together with the PowerPack variant of your choice



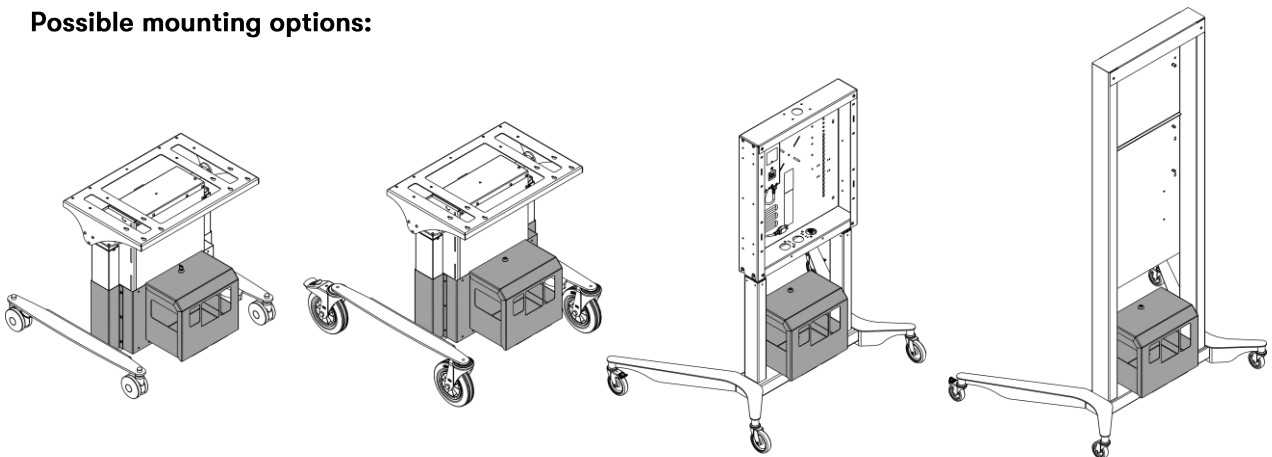
US



EU



Possible mounting options:



Download technical drawings here



EU



US

Dimensions

Shipping dimensions			Variation		Shipping weight	
Height	360 mm	14.2 inch	Mobile Stand Mix®	±9 kg	±19.9 lb	
Width	360 mm	14.2 inch	e-Box® II Mobile Stand	±9 kg	±19.9 lb	
Depth	360mm	14.2 inch	Tilt&Table	±13,5 kg	±29.8 lb	
Weight	±6,3 kg	±13.9 lb				