



US



EU



## Product description

For more stability, comfort, and grip when moving your mobile interactive display, use our Universal Handlebar. Move effortlessly and safely from one room to another with its firm grip.

Article number	Product Description
481A90	Handlebar

### Material:

- Steel structural parts

### Finish:

- Powder coated black RAL9005

### Certificates

- CE



## Compatible with

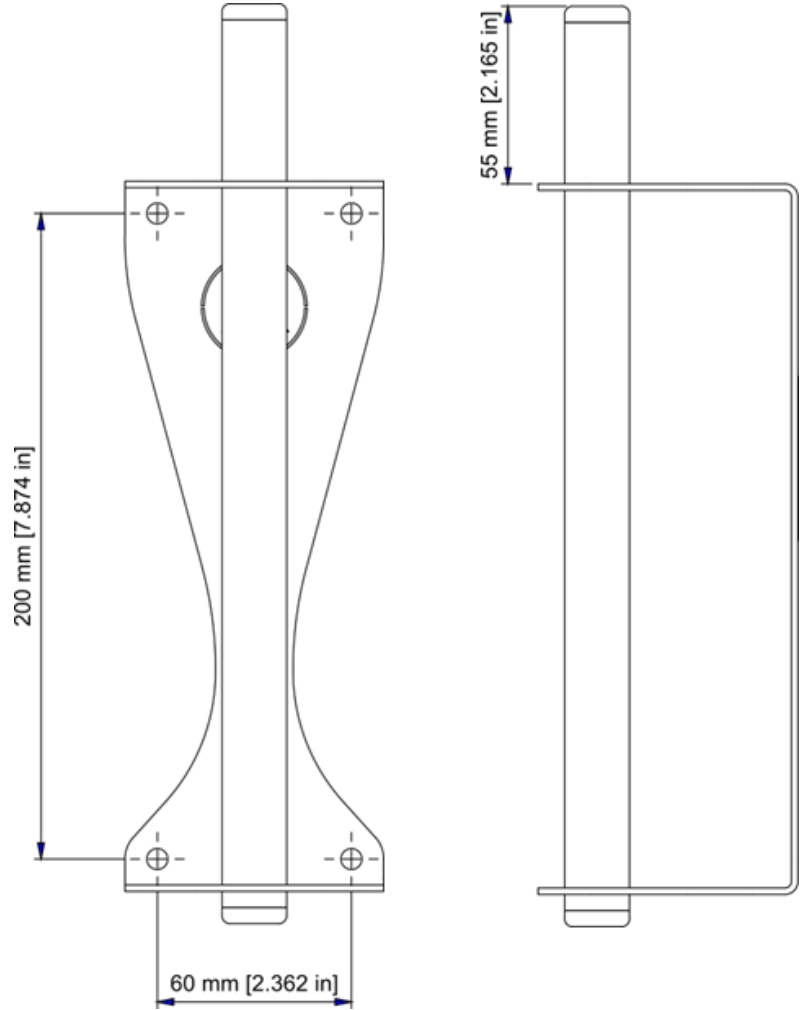
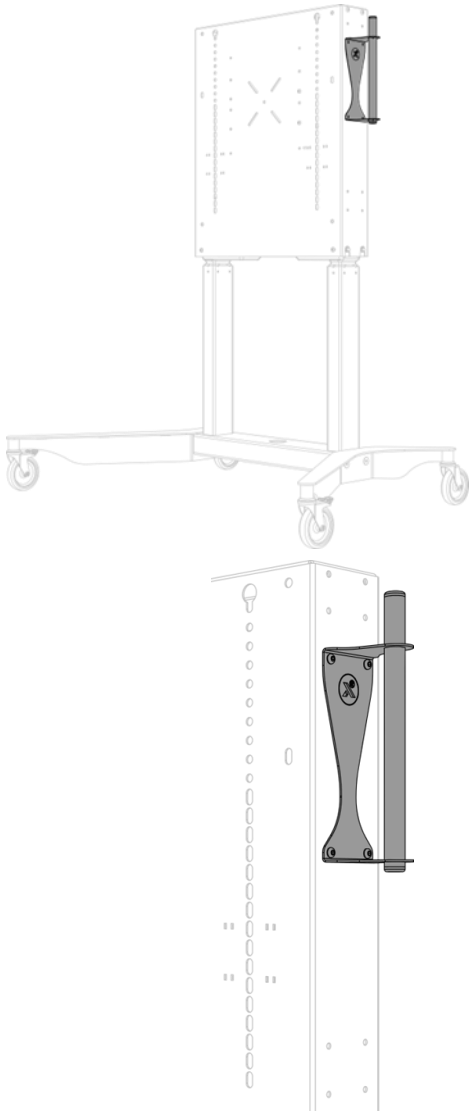
Article number	Product description
487A11011	e-Box II Mobile Stand
487A14001 / 487A14002	e-Box III Mobile Stand



US



EU



## Dimensions

Shipping dimensions		
Height	85 mm	3.35 inch
Width	310 mm	12.2 inch
Depth	87 mm	3.43 inch
Shipping weight	0,73 kg	1.6 lb
Product weight	0,53 kg	1.2 lb