



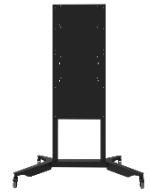
Article number 481A71001

Mobile Stand Mix® for
BalanceBox® 400

US



EU



Product description

The Mobile Stand Mix is a heavy-duty mobile base designed for use with the Universal VESA bracket and the BalanceBox 400 adjustable wall mount. Create a simple yet heavy-duty fixed height display stand, by combining it with the Universal VESA bracket #481A70 or elevate the user experience by mounting the height adjustable BalanceBox 400 to create a mobile, height adjustable display stand. The recessed base reduces tripping hazard, while the 75mm/3" casters ensure smooth relocation of the stand.

Article number	Product Description	Load capacity	
481A71001	Mobile Stand Mix® for BalanceBox® 400	125kg	275.6 lb

Material and finish:

- Frame: steel, powder coated, black textured (RAL9005)

Product features:

- Compatible with panels up to 86" and max. 125 kg / 275.6 lb
- Two mounting positions for the BalanceBox 400, Universal VESA bracket ensure easy access to users of any stature.

Certifications

- CE
- TÜV Baumuster geprüft (62368-1)
- UL/IEC/CSA (62368-1)



Accessories

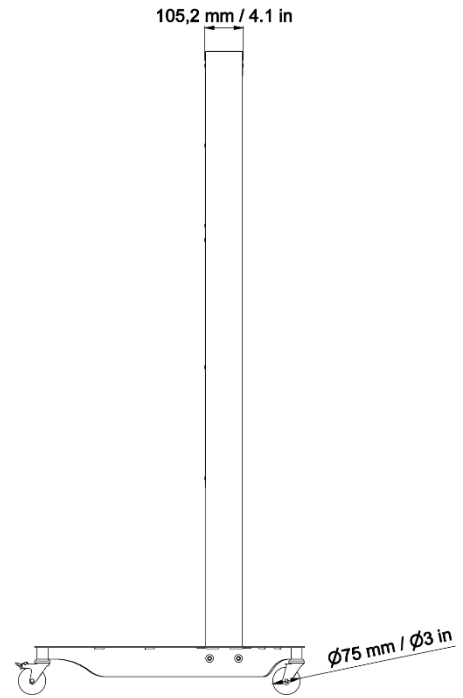
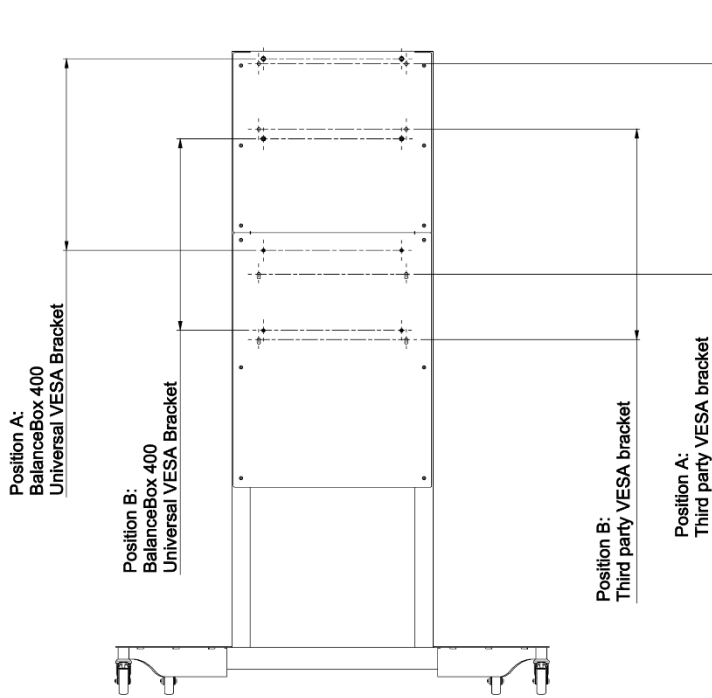
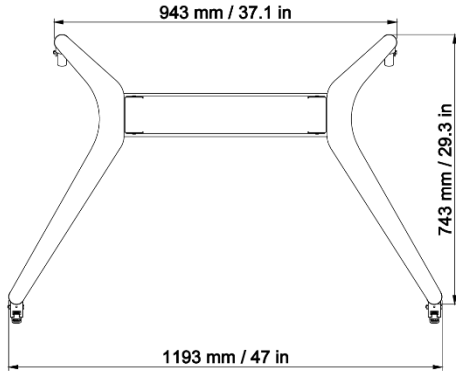
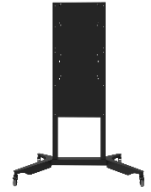
Article number	Product description
480A12 / 480A13 / 480A14	BalanceBox® 400
481A70	Universal VESA Bracket
481A73	Fixed Laptop Tray
481A81	Wheels Upgrade for Mobile Stands



US



EU



Download technical drawings here



EU



US

Dimensions

Shipping dimensions		
Length	1780 mm	70.1 inch
Width	650 mm	25.6 inch
Height	130 mm	5.2 inch
Shipping weight	±42 kg	±92.6 lb
Product weight	±38 kg	±83.8 lb
Pallet quantity	12 each	