



US



EU



## Product description

The Camera & Soundbar Bracket is a very versatile mounting solution for conferencing cameras, sound bars, and all-in-one conferencing systems. It is compatible with all size panels and all BalanceBox manual and motorized mounts. It also installs directly on a wall or floorsupport.

Article number	Product description
481A54001	BalanceBox® Camera & Soundbar Bracket

## Specifications

### Materials and finish

- Frame: sheet metal / steel powder coated black RAL9005 textured
- ¼" UNC camera screws, M4, M5 and M6 metric hardware included

### Features

- Flexible mounting for conferencing cameras, soundbars, and all-in-one systems
- Compatible with any screen size via VESA pattern integration
- Works with BalanceBox manual and motorized mounts
- Direct wall or floor support mounting possible
- Adjustable tray (horizontal or vertical positioning)
- Multiple placement options (top, bottom, side, or several at once)
- Broad brand and device compatibility through adaptable mounting pattern

### Certificates & Safety

- CE



## Compatible with

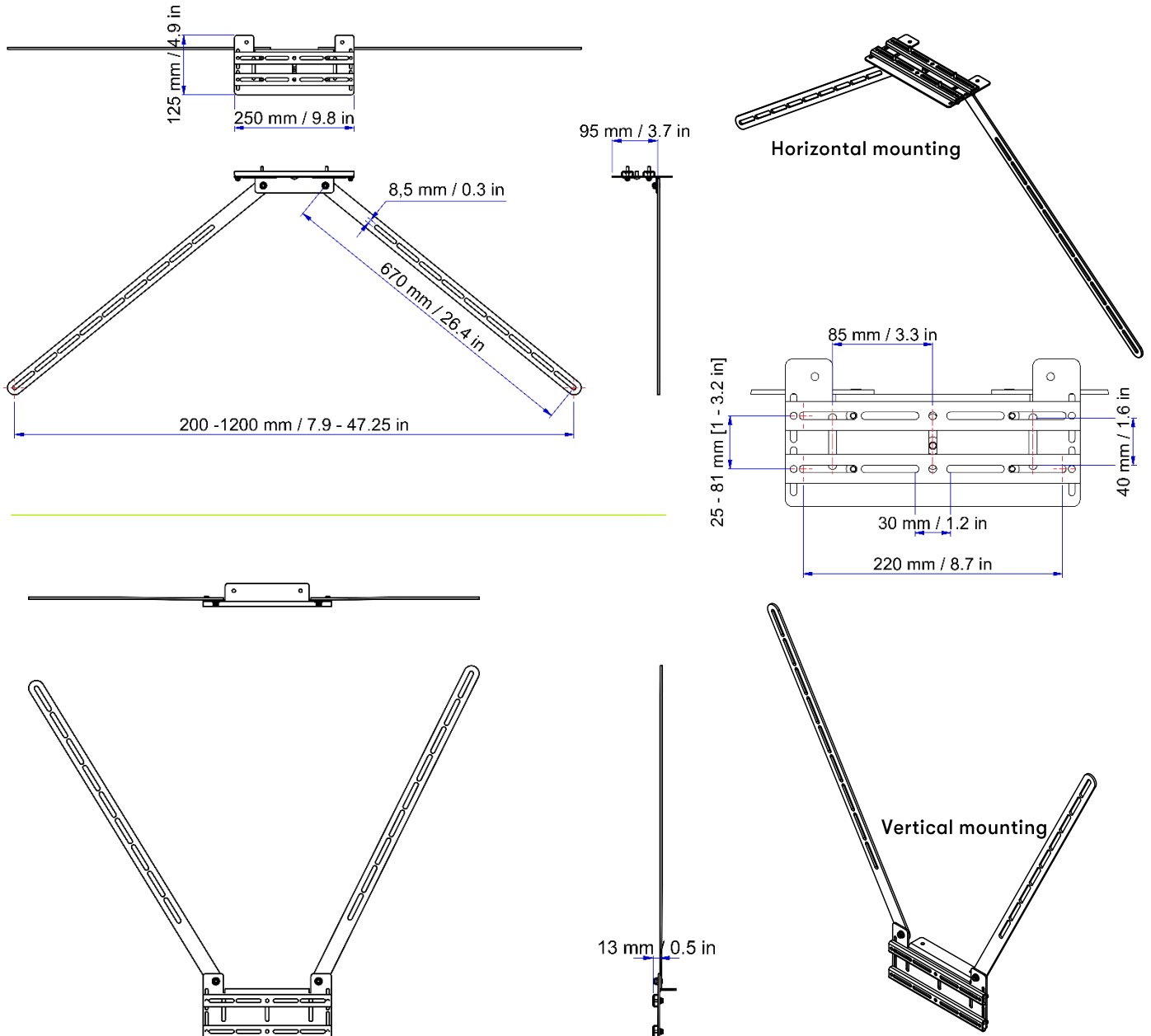
Article number	Product description
480A1x	BalanceBox® 400
484A1x	BalanceBox® 650-II
481A71xxx	Mobile Stand Mix for BalanceBox® 400
481A98001	BalanceBox® Mobile Stand Base
481A43001	Floor Support II for BalanceBox® 400
487A11011	e-Box II Mobile Stand
487A12011 / 487A12015	e-Box II Wall Mount
487A13001 / 487A13002	e-Box III Wall Mount
487A14001 / 487A14002	e-Box III Mobile Stand
487A23001 / 487A23002	e-Box IV Wall Mount
487A24001 / 487A24002	e-Box IV Mobile Stand



US



EU



## Dimensions

	Shipping dimensions		Pallet quantity: 105 each	
Height	51 mm	2 inch	1388 mm	54.5 inch
Width	735 mm	28.9 inch	1200 mm	47.5 inch
Depth	169 mm	6.7 inch	1000 mm	40 inch
Shipping weight	±2,5 kg	±5.5 lb	±287 kg	±631 lb
Product weight	±2,35 kg	±5.2 lb		