



US



EU



## Product description

The Wide VESA Bracket is designed for large or ultra-wide displays with VESA mounting patterns up to 1200 x 800 mm and a maximum weight capacity of 125 kg or 275 lb (145 kg or 319 lb on selected products, see compatibility chart below). It is fully compatible with the BalanceBox® 650-II and e-Box II, e-Box III and e-Box IV product ranges.

The bracket supports wall mounting with multiple hole patterns: 16" / 400 mm – 24" / 600 mm – 32" (weight capacity in 3-stud configuration 145 kg or 319 lb)

Article number	Product Description
481A53001	BalanceBox® Wide VESA Bracket 1200 x 800 mm

### Material:

- Sheetmetal / steel
- Hardware for compatible BalanceBox and e-Box products is included
- Hardware for panel mounting included

### Finish:

- Sheetmetal Frame: Powder coated black RAL9005 textured

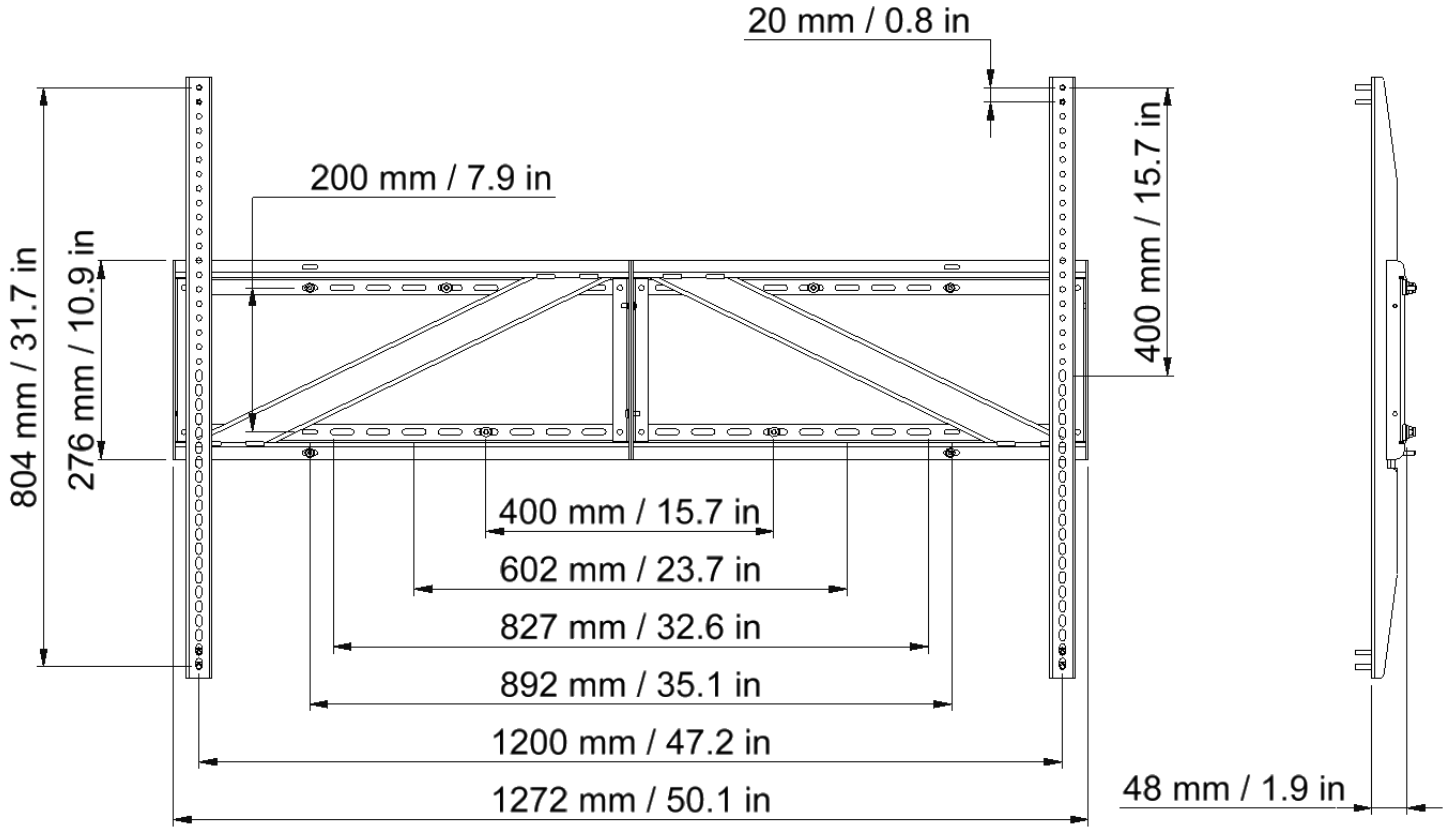
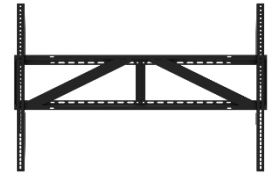
### Certificates

CE



## Compatible with

Article number	Product description
484A17 / 484A18 / 484A19 / 484A20	BalanceBox® 650-II (weight capacity 145 kg or 319 lb)
487A11011	e-Box II Mobile Stand (weight capacity 125 kg or 275 lb)
487A12011 / 487A12015	e-Box II Wall Mount (weight capacity 125 kg or 275 lb)
481A43001	Floor Support II for BalanceBox® 400 (fixed height installation; weight capacity 145 kg or 319 lb)
487A13001 / 487A13002	e-Box® III Wall Mount (USA and EU versions; weight capacity 125 kg or 275 lb)
487A14001 / 487A14002	e-Box® III Mobile Stand (USA and EU versions; weight capacity 125 kg or 275 lb)
487A23001 / 487A23002	e-Box® IV Wall Mount (USA and EU versions; weight capacity 132 kg or 290 lb)
487A24001 / 487A24002	e-Box® IV Mobile Stand (USA and EU versions; weight capacity 132 kg or 290 lb)



Download technical drawings here



## Dimensions

	Shipping dimensions		Pallet quantity: 40 each	
Height	75 mm	2.95 inch	1385 mm	54.5 inch
Width	945 mm	37.2 inch	1200 mm	47.5 inch
Depth	415 mm	16.3 inch	1000 mm	40 inch
Shipping weight	±10,5 kg	±23.1 lb	±445 kg	±979 lb
Product weight	±8 kg	±17.6 lb		