

BalanceBox®

Article number: 481A50

Mobile stand for  
BalanceBox® 650



US



EU



## Product description

Mobile Stand for BalanceBox® 650 adds flexible dynamic to your screen with BalanceBox® 650 mount

Article number	Product Description	Load capacity	
481A50	Mobile stand for BalanceBox® 650	180 kg	396 lb

### Material:

- Steel frame and covers

### Finish:

- Steel Frame and covers: Powder coated black RAL9005 textured

### Certificates

- CE
- TÜV Baumuster geprüft (62368-1)
- UL/IEC/CSA (62368-1)



## Compatible with

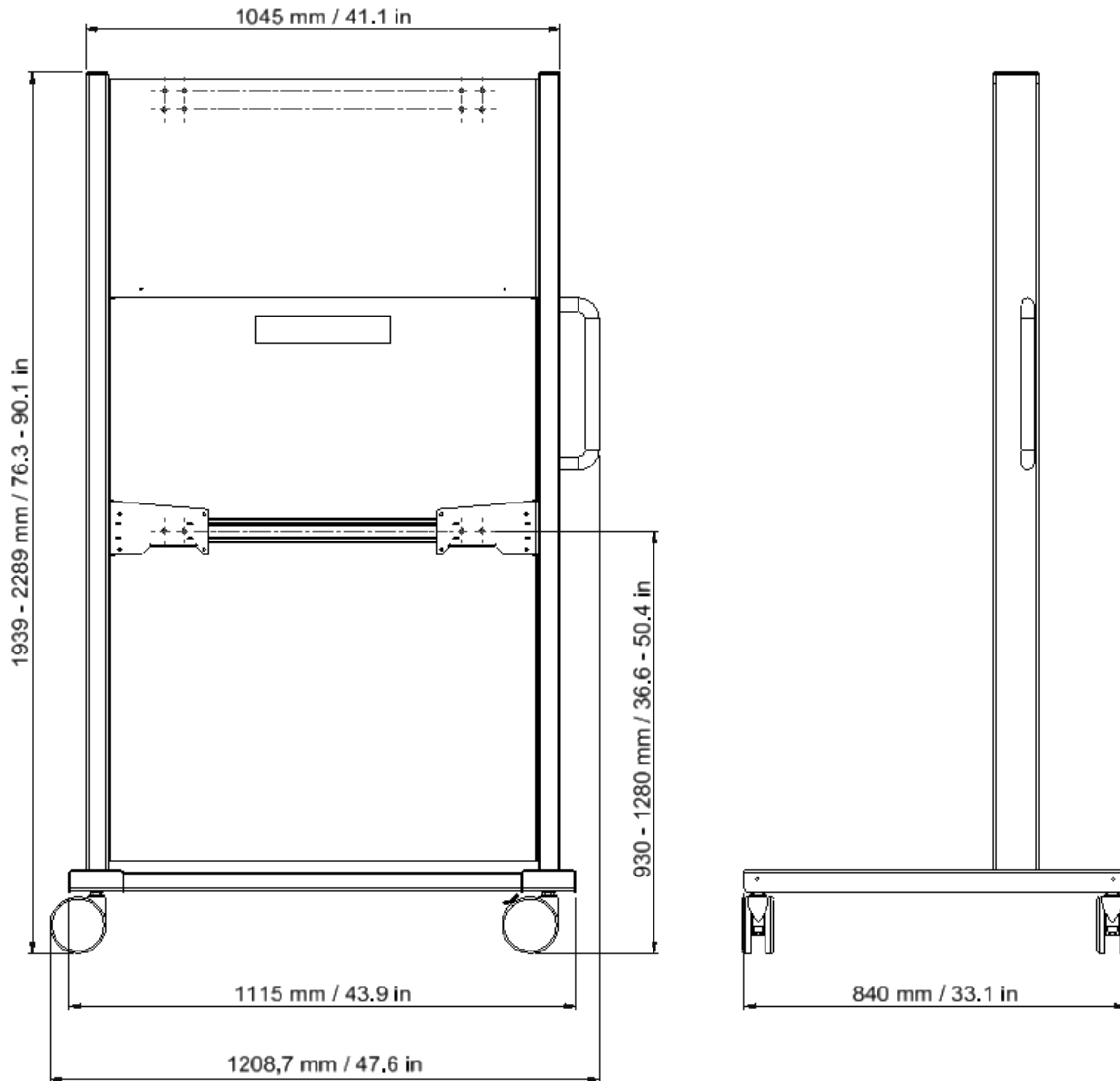
Article number	Product description
484A17	BalanceBox® 650-II Light
484A18	BalanceBox® 650-II Medium
484A19	BalanceBox® 650-II Heavy



US



EU



Download technical drawings here



EU



US

## Dimensions

Shipping dimensions		
Height	300 mm	12 inch
Width	1200 mm	47.25 inch
Depth	1900 mm	47.5 inch
Shipping weight	±100 kg*	±220 lb*
Product weight	±71 kg	±168 lb

\*Shipping weight: mobile stand + pallet