

**BalanceBox**

Article number: 481A43001

Floor Support II for
BalanceBox® 400

US



EU



Product description

The Floor Support II for BalanceBox 400 is a floor-to-wall support, designed to safely mount the BalanceBox 400 to non-load-bearing-walls. Combined with the Universal VESA bracket (481A70) or the Wide VESA bracket (481A53001) the Floor Support II can also be used to mount any panel with max. weight of 125 kg / 275.6 lbs. at a fixed height to a (non load bearing) wall. The contemporary floor support, with its stylish aluminum profiles, offers a perfect mix of safety and elegance.

Article number	Product Description	Load capacity	
481A43001	Floor Support II for BalanceBox® 400	125 kg	275.6 lb

Material and finish:

- Aluminium profiles, powder coated, grey textured (RAL9006)
- Wall brackets, plastic ABS, white (RAL9003)
- Interface brackets, steel, powder coated, white (RAL9003)

Technical specifications:

- Compatible with panels up to 86" and max. 125 kg / 275.6 lb

Certificates

- CE
- TÜV Baumuster geprüft (62368-1)
- UL/IEC/CSA (62368-1)



Compatible with

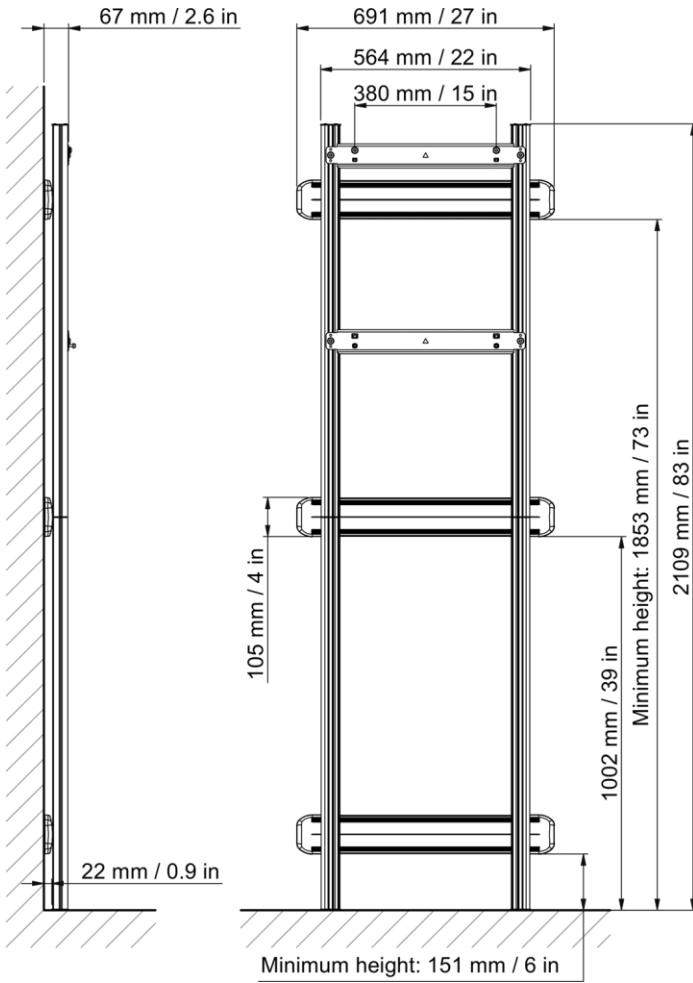
Article number	Product description	Weight range	
480A12	BalanceBox® 400 Medium	23 – 43 kg	50.7 – 94.7 lb
480A13	BalanceBox® 400 Light	41 – 69 kg	90.4 – 152 lb
480A14	BalanceBox® 400 Heavy	66 – 95 kg	145.5 – 209 lb
481A70	Universal VESA Bracket	Max. 220 kg	Max. 485 lb



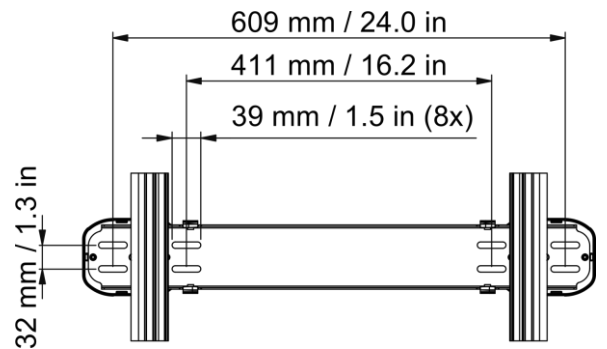
US



EU



Wall bracket mounting dimensions:



Download technical drawings here



EU



US

Dimensions

Shipping dimensions		
Length	1065 mm	42 inch
Width	125 mm	4.9 inch
Height	205 mm	8 inch
Shipping weight	± 14 kg	± 30.8 lb
Product weight	± 12,9 kg	± 28.4 lb