



US



EU



Product description

The Floor Support II for BalanceBox 400 is designed to securely mount your BalanceBox 400 on non-load-bearing walls.

The Floor Support can also be used for the panel only without the BalanceBox 400.

Article number	Product Description	Load capacity	
481A43001	Floor Support II for BalanceBox® 400	125 kg	275.6 lb

Material:

- Aluminium profiles
- Powder coated steel wall brackets with stylish aluminium and plastic covers
- Steel interface brackets

Finish:

- Aluminium profiles: Powder coated aluminium color textured
- Steel wall bracket: Powder coated white RAL9003 textured
- Steel interface brackets: Powder coated white RAL9003 textured
- Plastic covers: White RAL9003

Certificates

- CE
- TÜV Baumuster geprüft (62368-1)
- UL/IEC/CSA (62368-1)



Compatible with

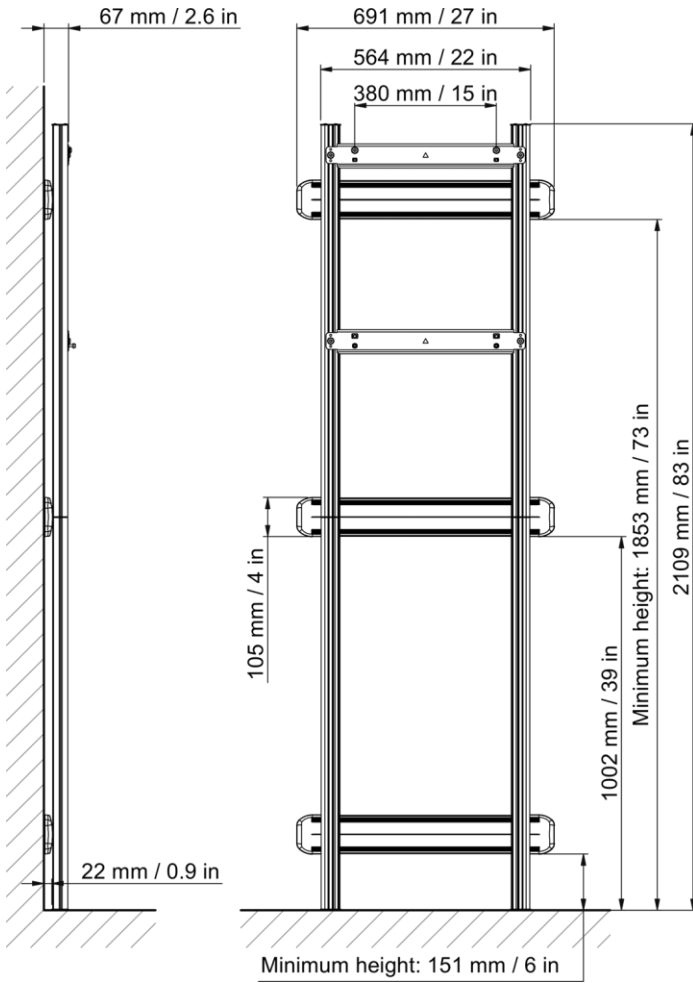
Article number	Product description	Weight range	
480A12	BalanceBox® 400 Medium	23 – 43 kg	50.7 – 94.7 lb
480A13	BalanceBox® 400 Light	41 – 69 kg	90.4 – 152 lb
480A14	BalanceBox® 400 Heavy	66 – 95 kg	145.5 – 209 lb
481A70	Universal VESA Bracket	Max. 220 kg	Max. 485 lb



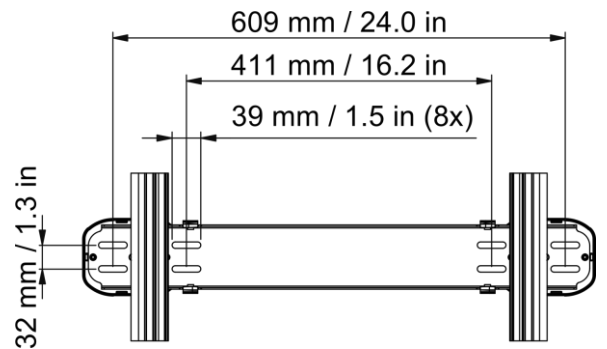
US



EU



Wall bracket mounting dimensions:



Download technical drawings here



EU



US

Dimensions

Shipping dimensions		
Height	205 mm	8 inch
Width	125 mm	4.9 inch
Depth	1065 mm	42 inch
Shipping weight	± 14 kg	± 30.8 lb
Product weight	± 12,9 kg	± 28.4 lb