

Product description

Designed for use with the e-Box II and e-Box III, this sturdy laptop and camera tray features a spacious 360x294mm / 14.2" x 11.6" shelf to hold a laptop or camera. It mounts to the left- or right-hand side of the e-Box II and e-Box III and, thanks to the extendable arm, allows for the shelf to be positioned next to any display up to 86" diagonal. With its rotating arm and shelf the product allows for forward or backward facing use of a laptop or for perfect positioning of the camera.

Article number	Product Description	Load capacity	
481A119	Universal Side Mounting Laptop and Camera Tray	4 kg	8.8 lb

Material:

- Steel structural parts, black powder coated RAL9005
- Plastic PA parts

General:

- Secures to the right- or left-hand side of the e-Box II or e-Box III
- Compatible with any display up to 86" diagonal (max. panel width 2144mm / 84.4 in)
- For optimum ease of use the platform can be rotated 360° and the arm 50° forward or backward
- Integrated VESA mounting pattern (75x75 to 100x100) allows for a camera to be secured to the shelf

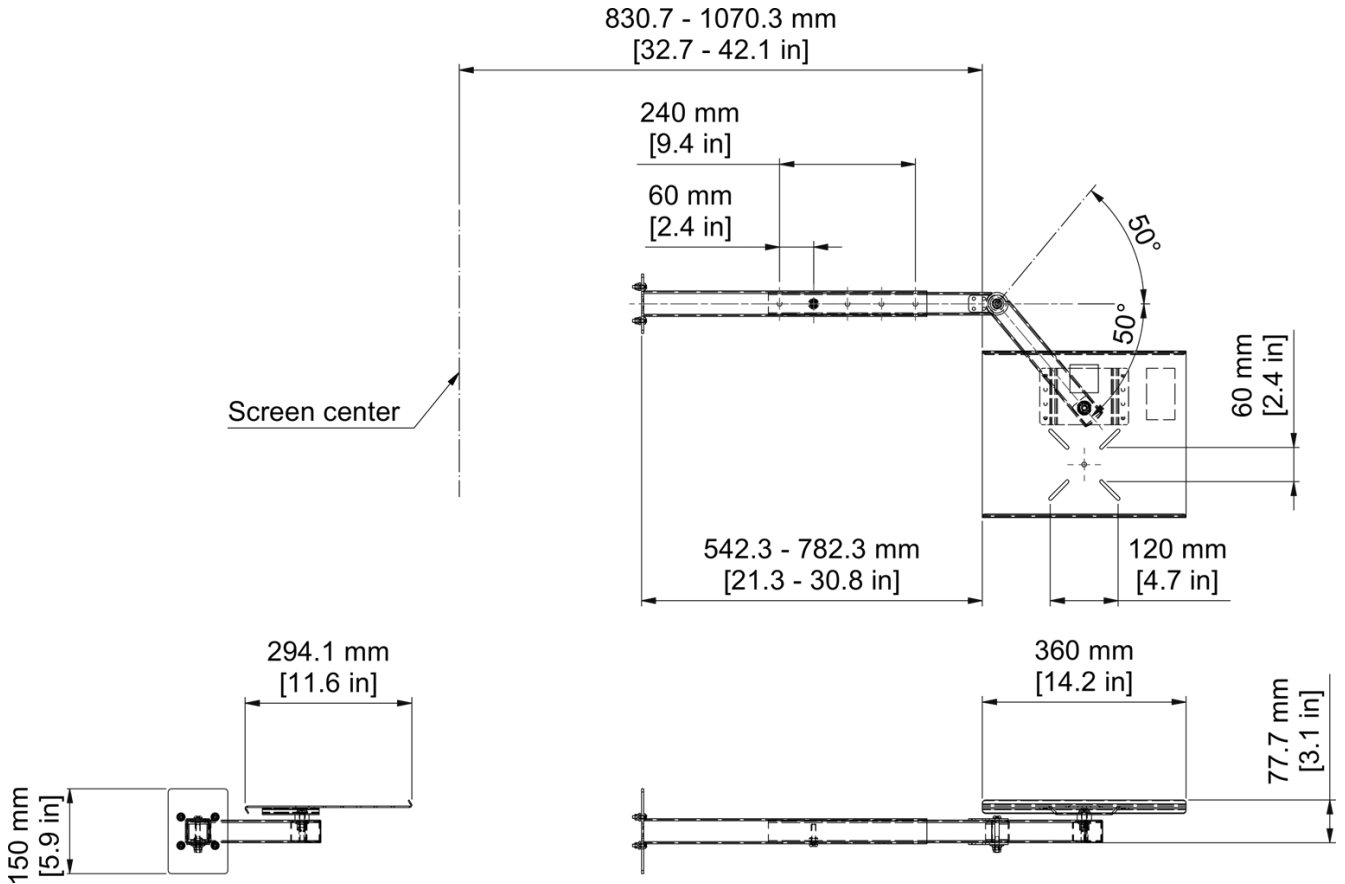
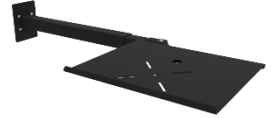
Certificates

- CE



Compatible with

Article number	Product description
487A11011	e-Box II Mobile Stand
487A12011	e-Box II Wall Mount
487A13xxx	e-Box III Wall Mount
487A14xxx	e-Box III Mobile Stand



Download technical drawings here



Dimensions

	Shipping dimensions		Pallet quantity: 54 Each	
Height	150 mm	5.9 inch	1944 mm	76.5 inch
Width	390 mm	15.4 inch	1200 mm	47.3 inch
Depth	700 mm	27.6 inch	1000 mm	39.4 inch
Shipping weight	±6,2 kg	±13.7 lb	±405 kg	±893 lb
Product weight	±5,1 kg	±11.2 lb		