

Product description

This durable and easy-to-install side mounting tray securely holds your laptop or document camera, giving you a practical and ergonomic workspace.

Article number	Product Description	Load capacity	
481A119	Side Mounting Laptop Tray for e-Box® II	4 kg	8.8 lb

Material:

- Steel structural parts, black powder coated RAL9005
- Plastic PA parts

General:

- Can be mounted on the right or left hand side of the e-Box® II.
- The width is adjustable (5 positions) for all panels up to 86" diag (max panel width 2144 mm / 84.4 in).
- Platform can rotate 360°, arm rotates backward or forward 50°, for forward or backward facing use.
- Small VESA mounting pattern for camera / accessories (75x75mm to 100x100mm).
- Mounting hardware included.

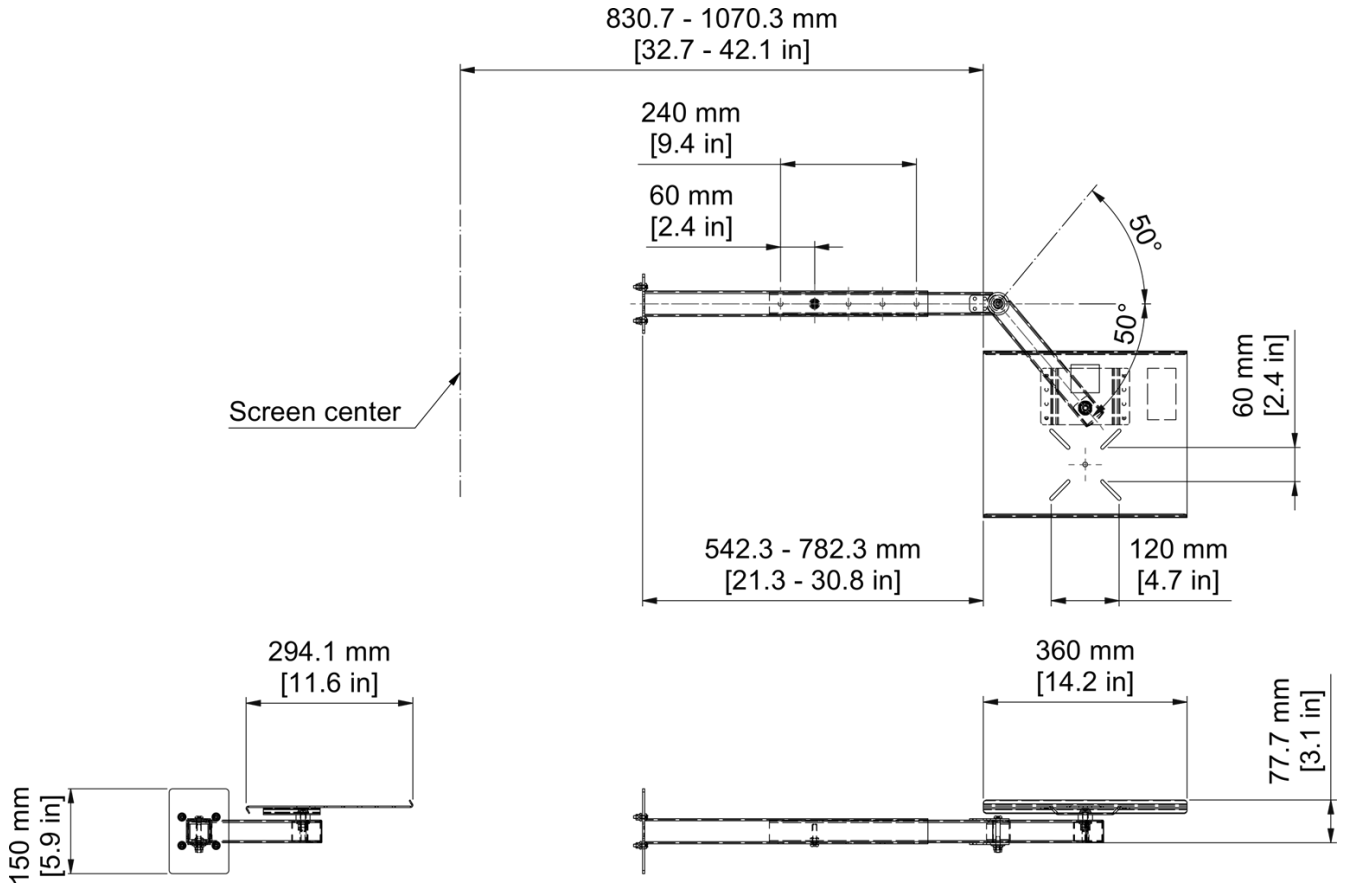
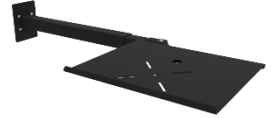
Certificates

- CE



Compatible with

Article number	Product description
487A11011	e-Box® II Mobile Stand
487A12011	e-Box® II Wall Mount



Download technical drawings here



Dimensions

	Shipping dimensions		Pallet quantity: 54 Each	
Height	150 mm	5.9 inch	1944 mm	76.5 inch
Width	390 mm	15.4 inch	1200 mm	47.3 inch
Depth	700 mm	27.6 inch	1000 mm	39.4 inch
Shipping weight	±6,2 kg	±13.7 lb	±405 kg	±893 lb
Product weight	±5,1 kg	±11.2 lb		