

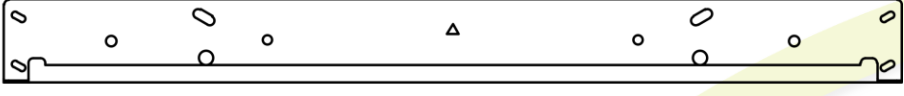
Installation manual

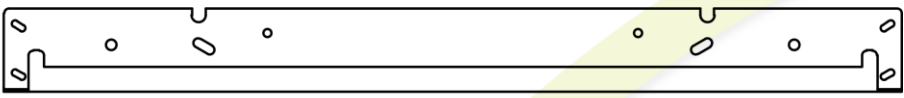
Part nr. 902916-02


Universal Vesa Bracket


For the BalanceBox®400, BalanceBox®650 and accessories


What's in the box


A 

B 

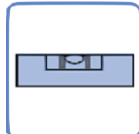
C 

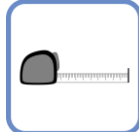
C 

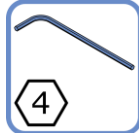
D  Bag of screws; 539962


E  Bag of screws; 539963

Tools needed







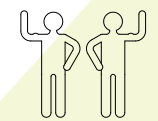




Safety Instructions





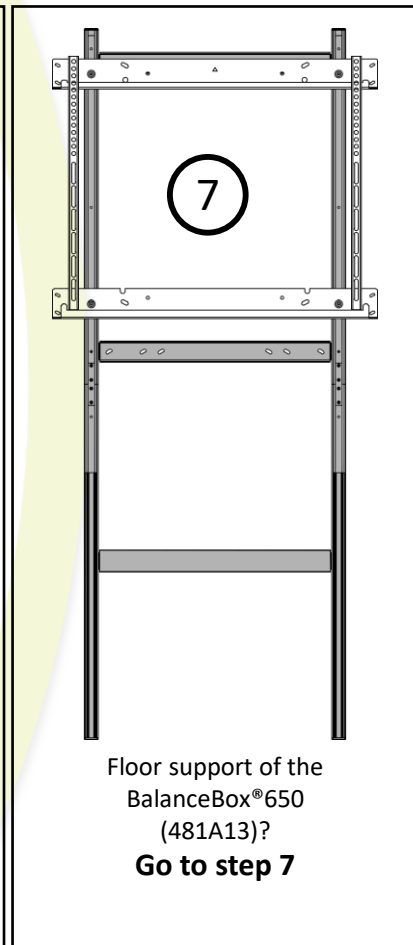
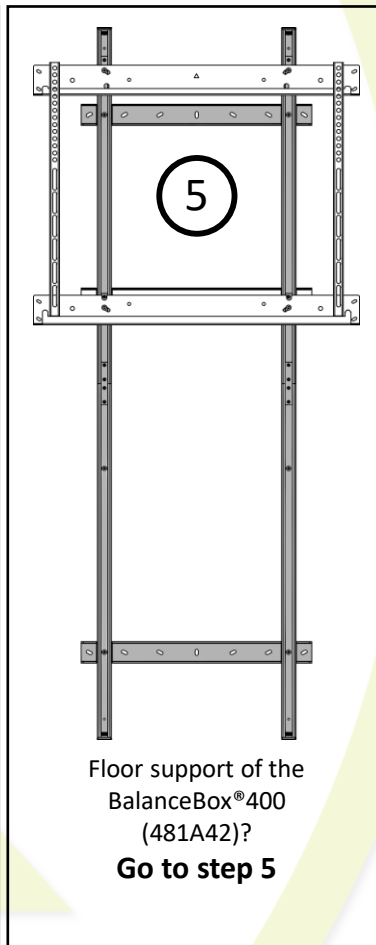
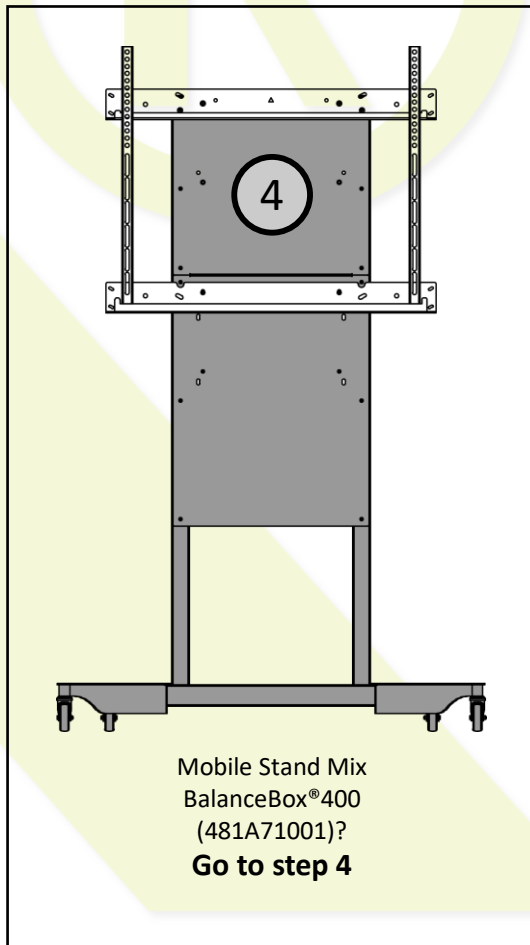
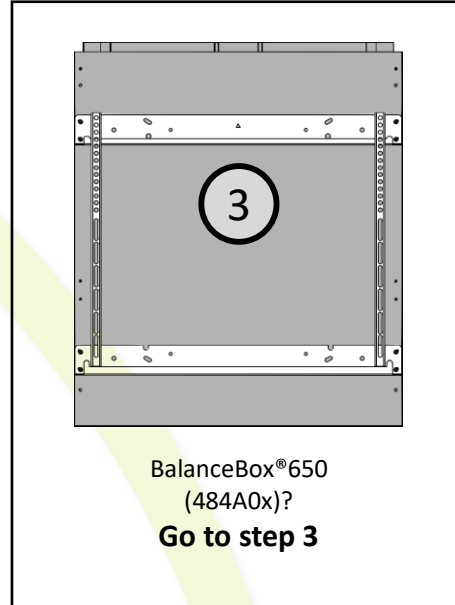
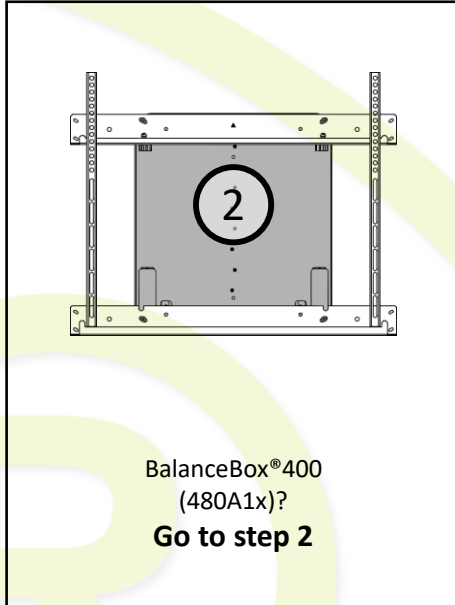


Universal Vesa Bracket

For the BalanceBox®400, BalanceBox®650 and accessories

1

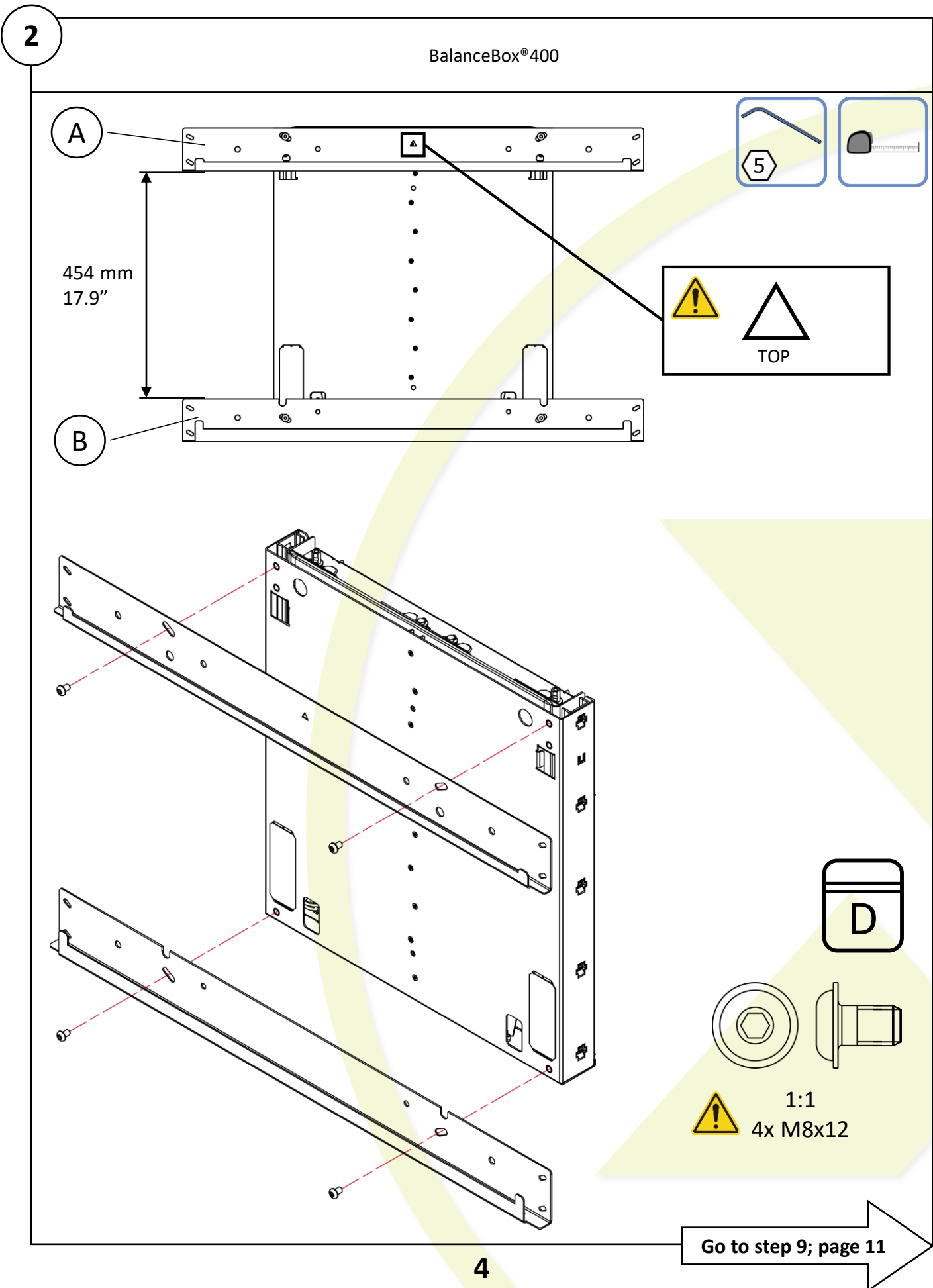
Choose on what BalanceBox® product you want to mount the Universal Vesa Bracket



3

Universal Vesa Bracket

For the BalanceBox®400, BalanceBox®650 and accessories



Universal Vesa Bracket

For the BalanceBox®400, BalanceBox®650 and accessories

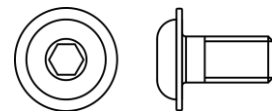
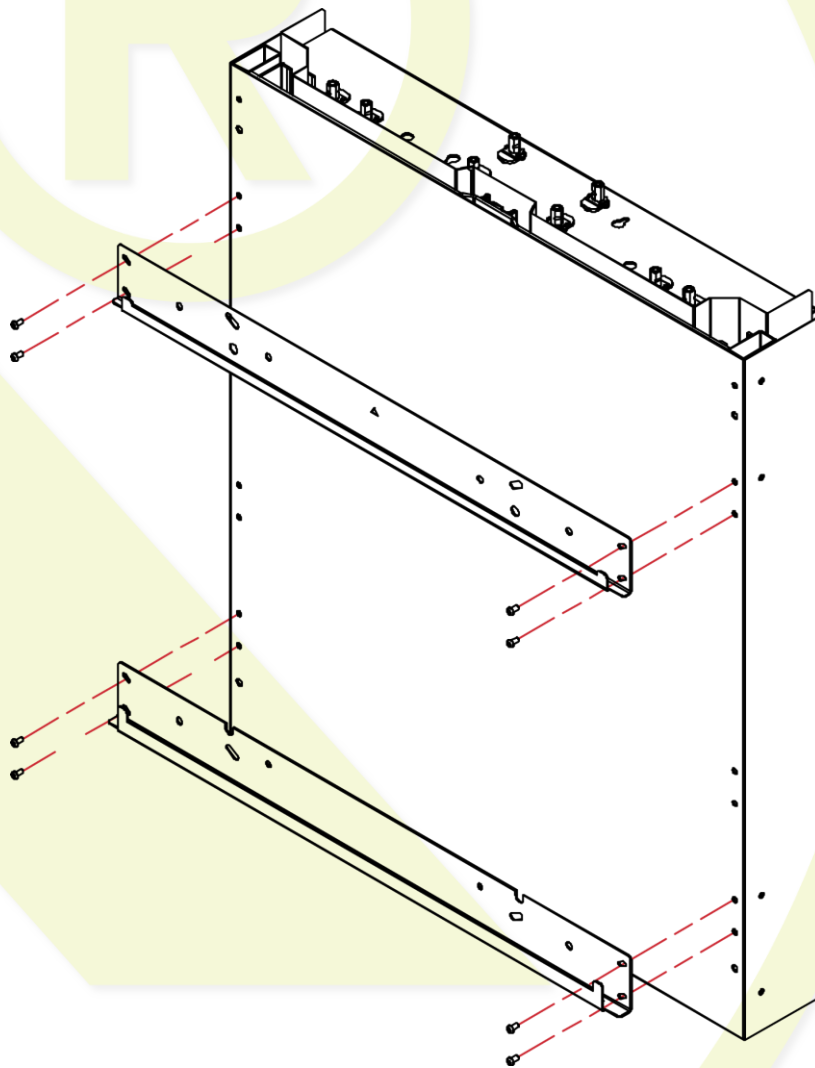
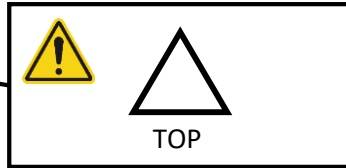
3

BalanceBox®650

A

565 mm
22 1/4"

B



1:1
8x M6x12

Go to step 9; page 11

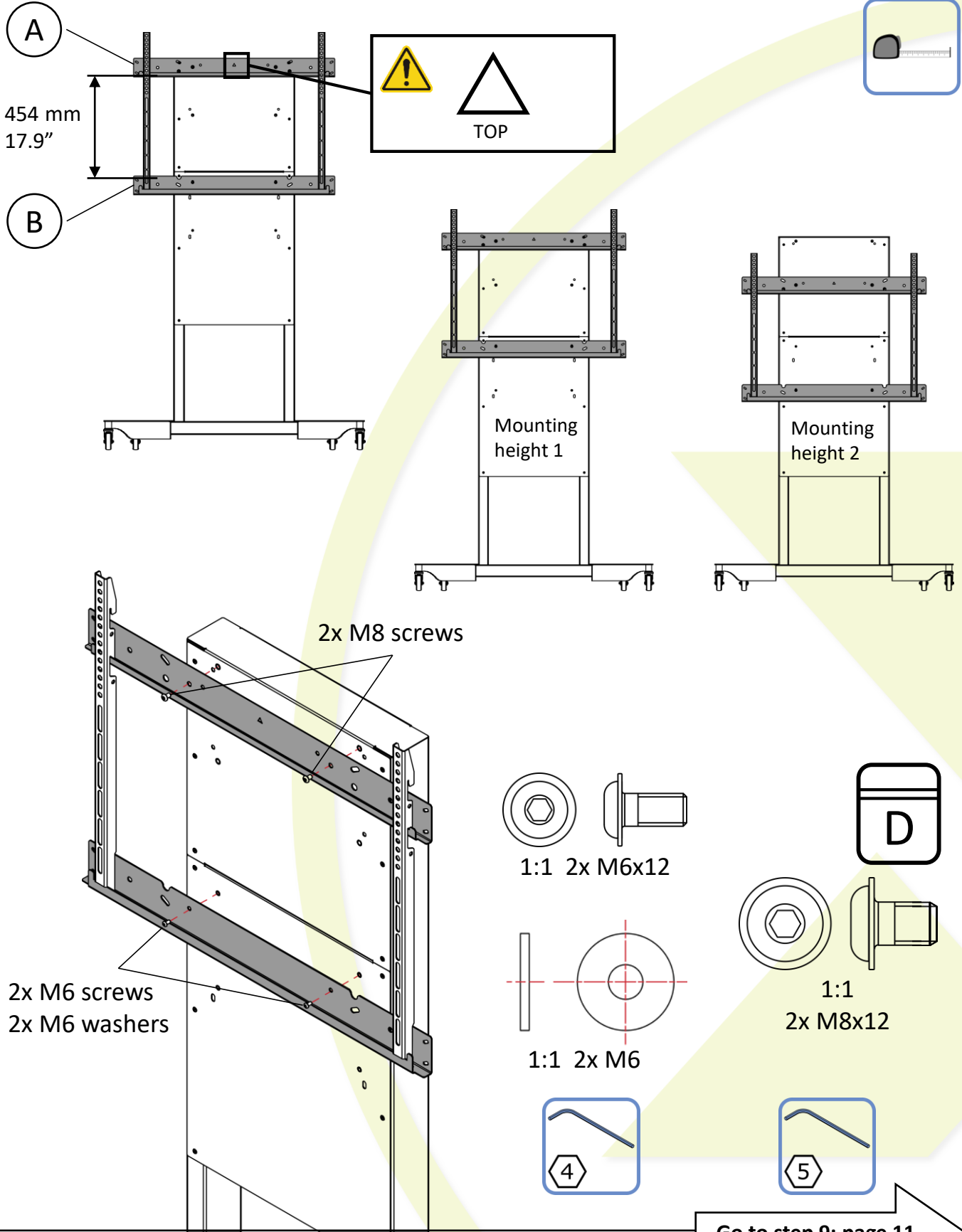
5

Universal Vesa Bracket

For the BalanceBox®400, BalanceBox®650 and accessories

4

Mobile Stand Mix



Go to step 9; page 11

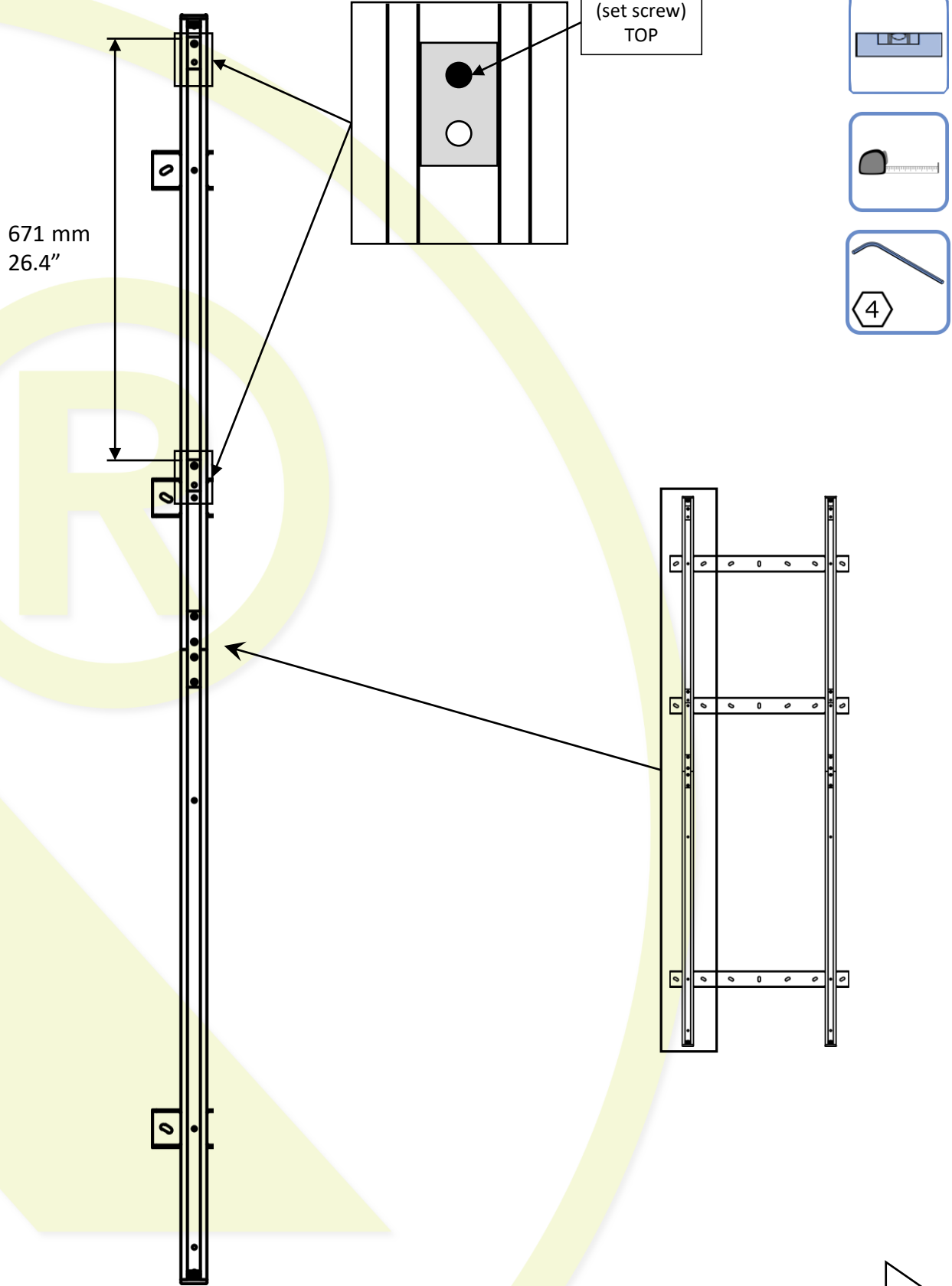
6

Universal Vesa Bracket

For the BalanceBox®400, BalanceBox®650 and accessories

5

Floorsupport BalanceBox®400



Go to step 6; page 8

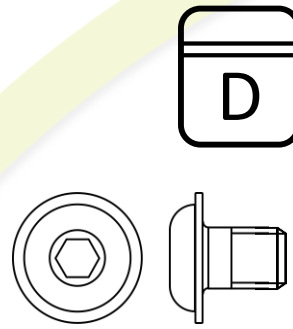
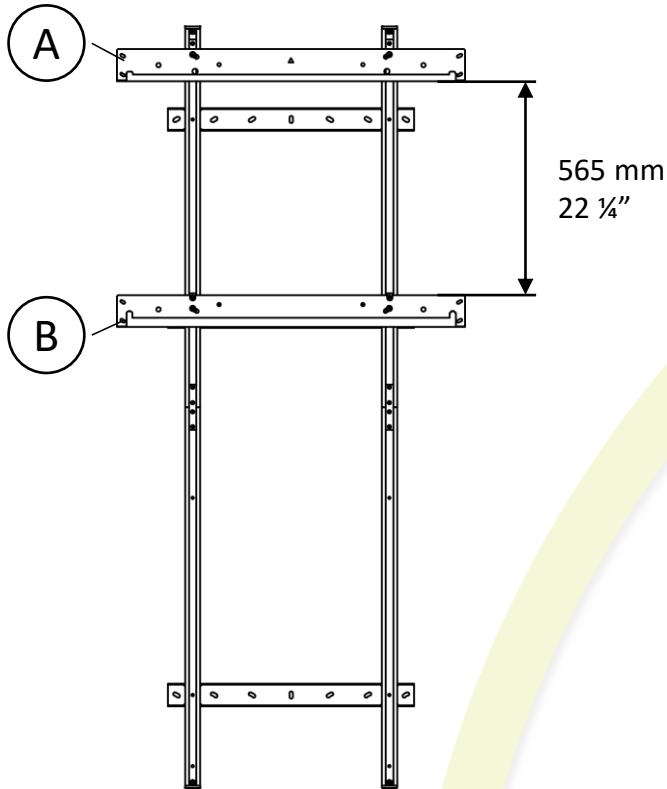
7

Universal Vesa Bracket

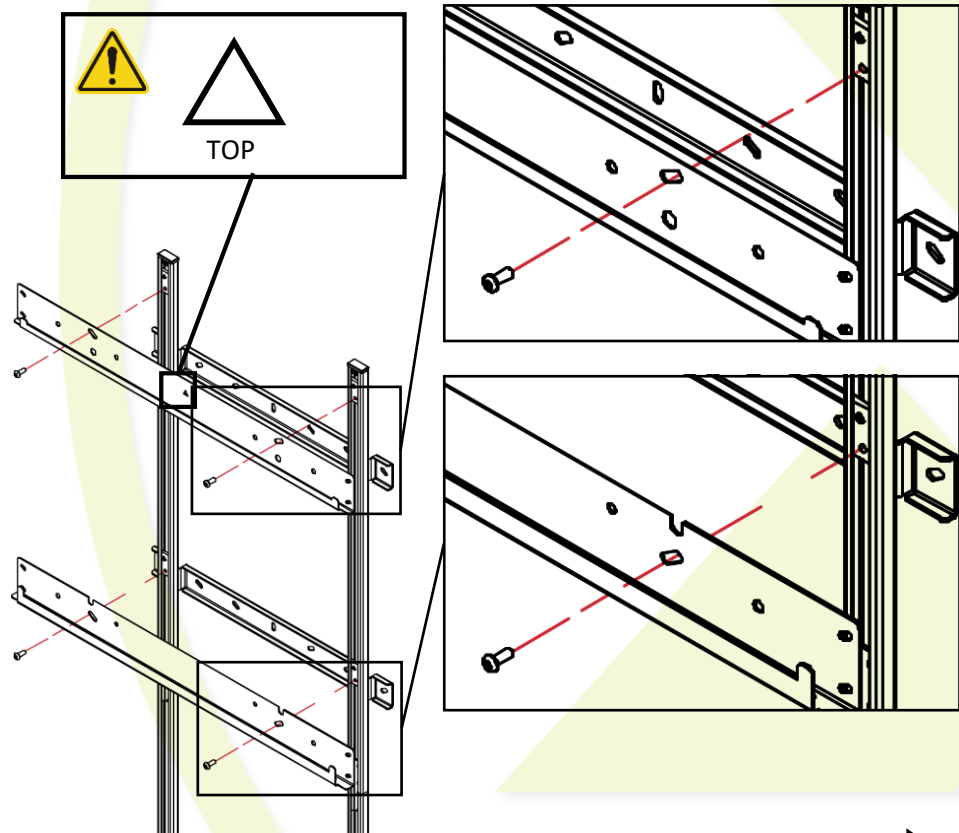
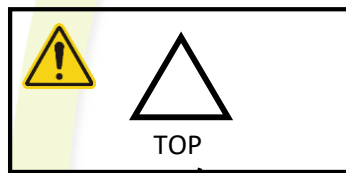
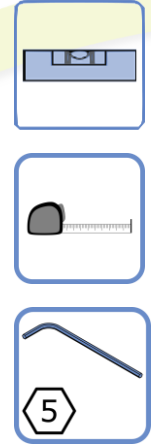
For the BalanceBox®400, BalanceBox®650 and accessories

6

Floorsupport BalanceBox®400



1:1
4x M8x12



Go to step 9; page 11

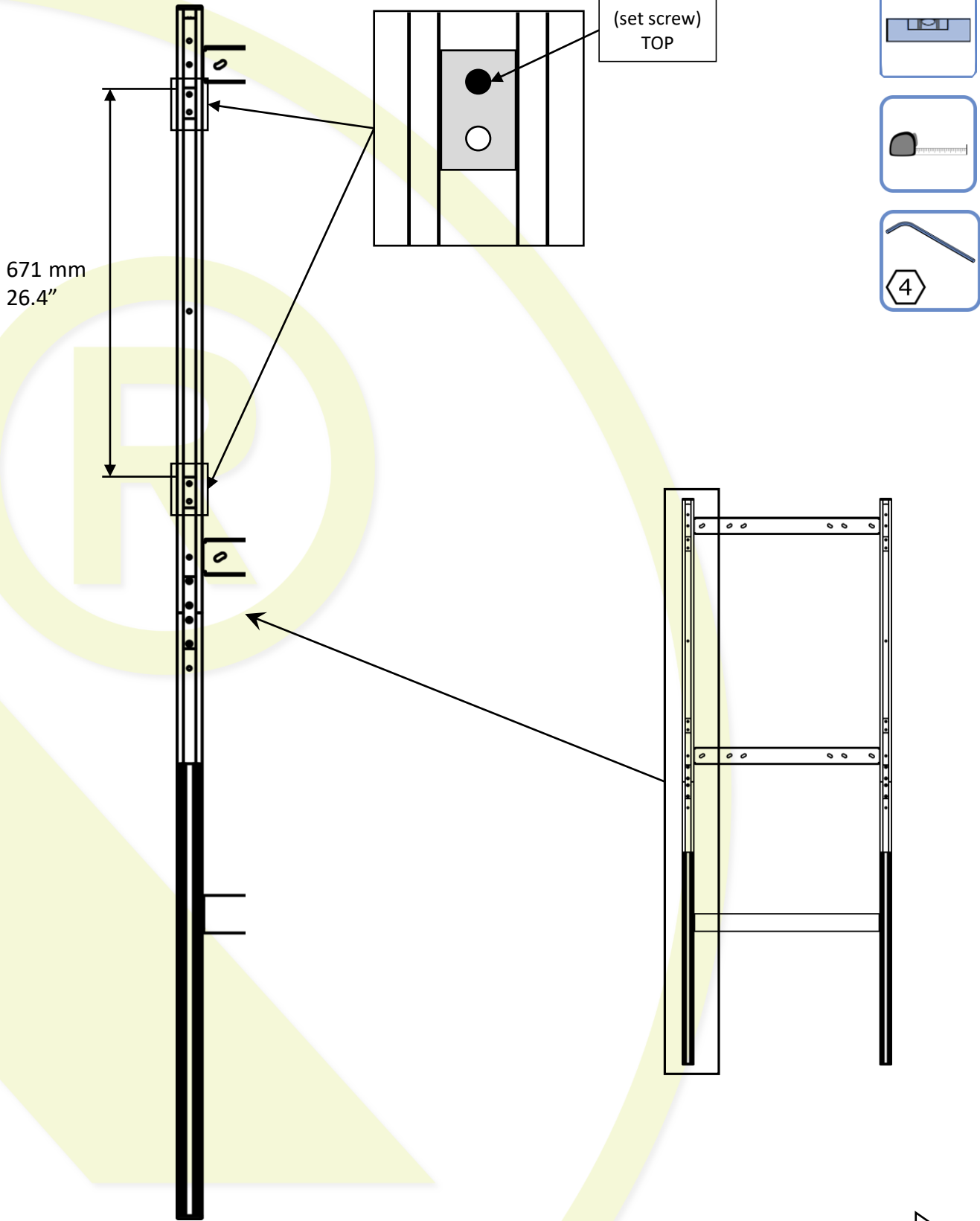
8

Universal Vesa Bracket

For the BalanceBox®400, BalanceBox®650 and accessories

7

Floorsupport BalanceBox®650



671 mm
26.4"

(set screw)
TOP

4

Go to step 8; page 10

9

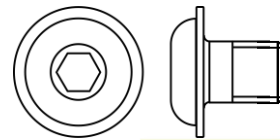
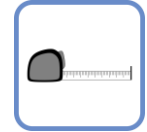
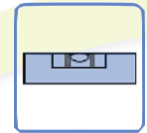
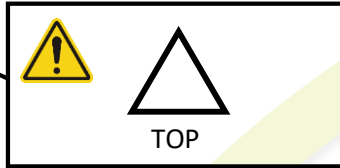
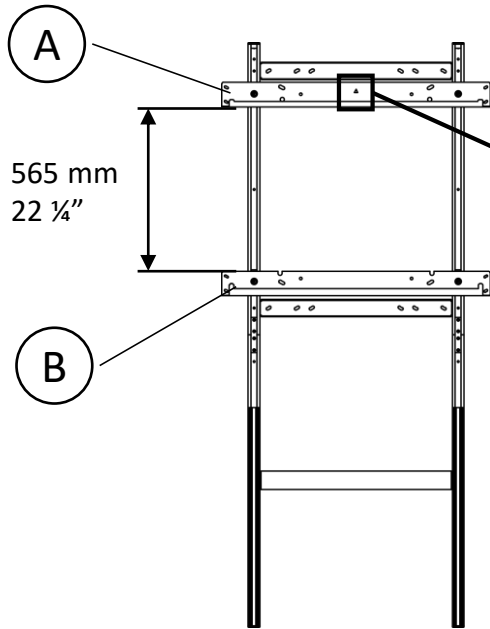
Part nr. 902916-02

Universal Vesa Bracket

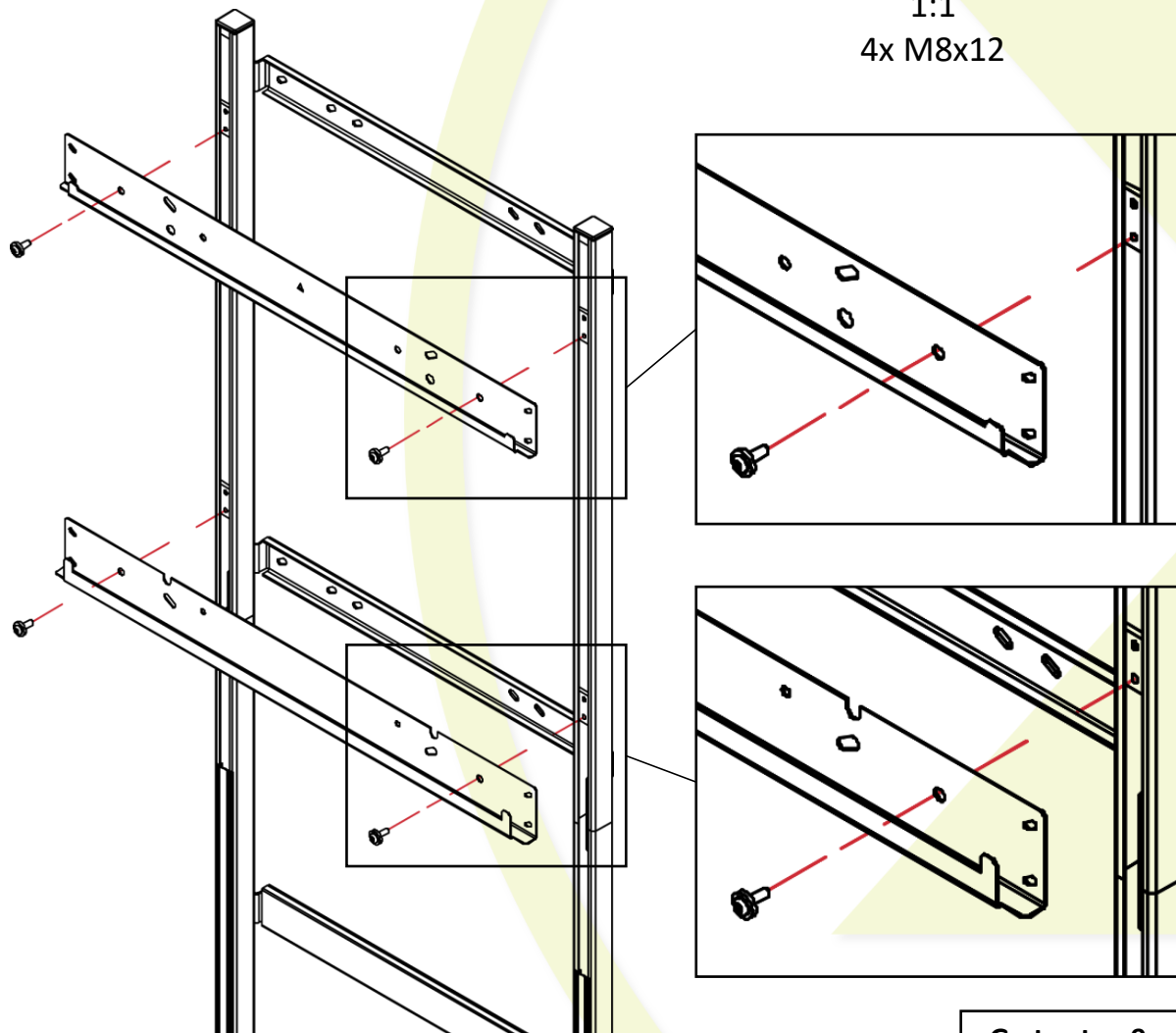
For the BalanceBox®400, BalanceBox®650 and accessories

8

Floorsupport BalanceBox®650



1:1
4x M8x12



Go to step 9; page 11

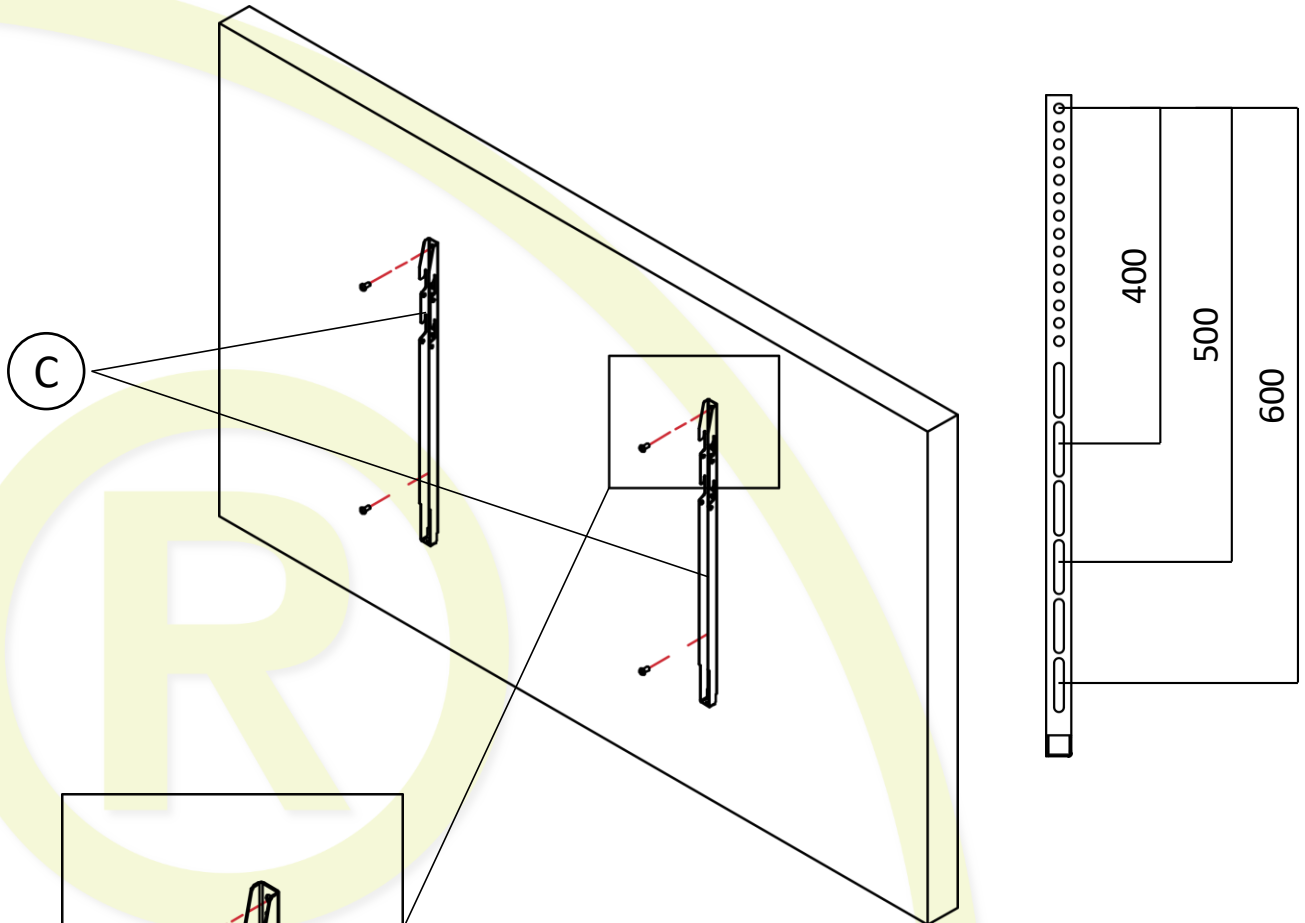
10

Universal Vesa Bracket

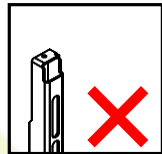
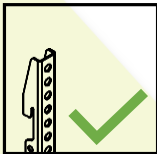
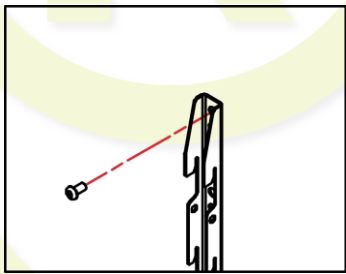
For the BalanceBox®400, BalanceBox®650 and accessories

9

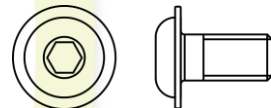
Touch panel



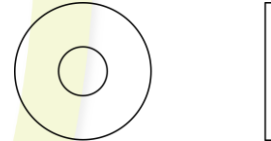
C



4x M6x12

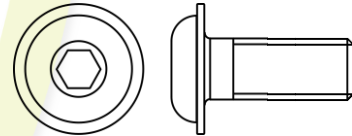


4x M6

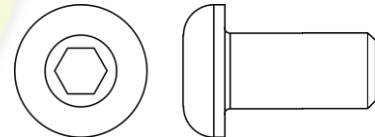


1:1

4x M8x20



4x M10x20



Go to step 10; page 12

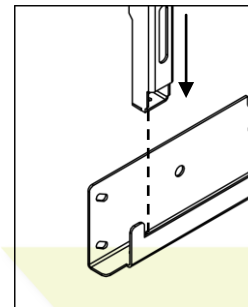
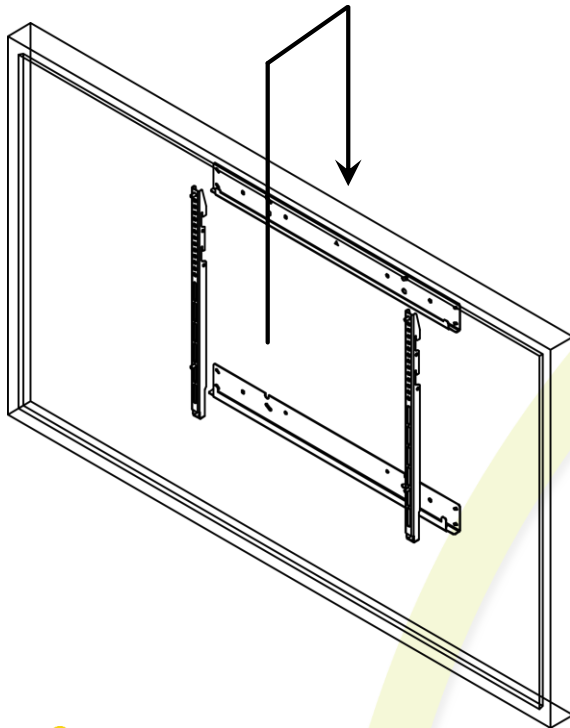
11

Universal Vesa Bracket

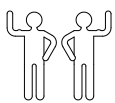
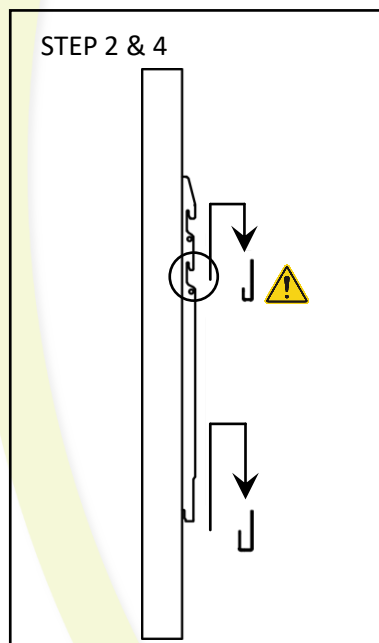
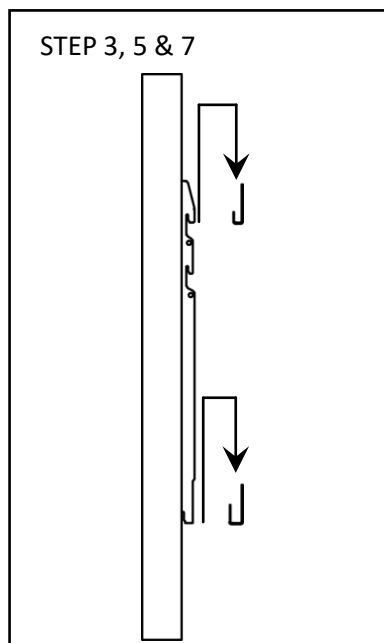
For the BalanceBox®400, BalanceBox®650 and accessories

10

Touch panel



Make sure the screen sits correctly in both horizontal brackets!



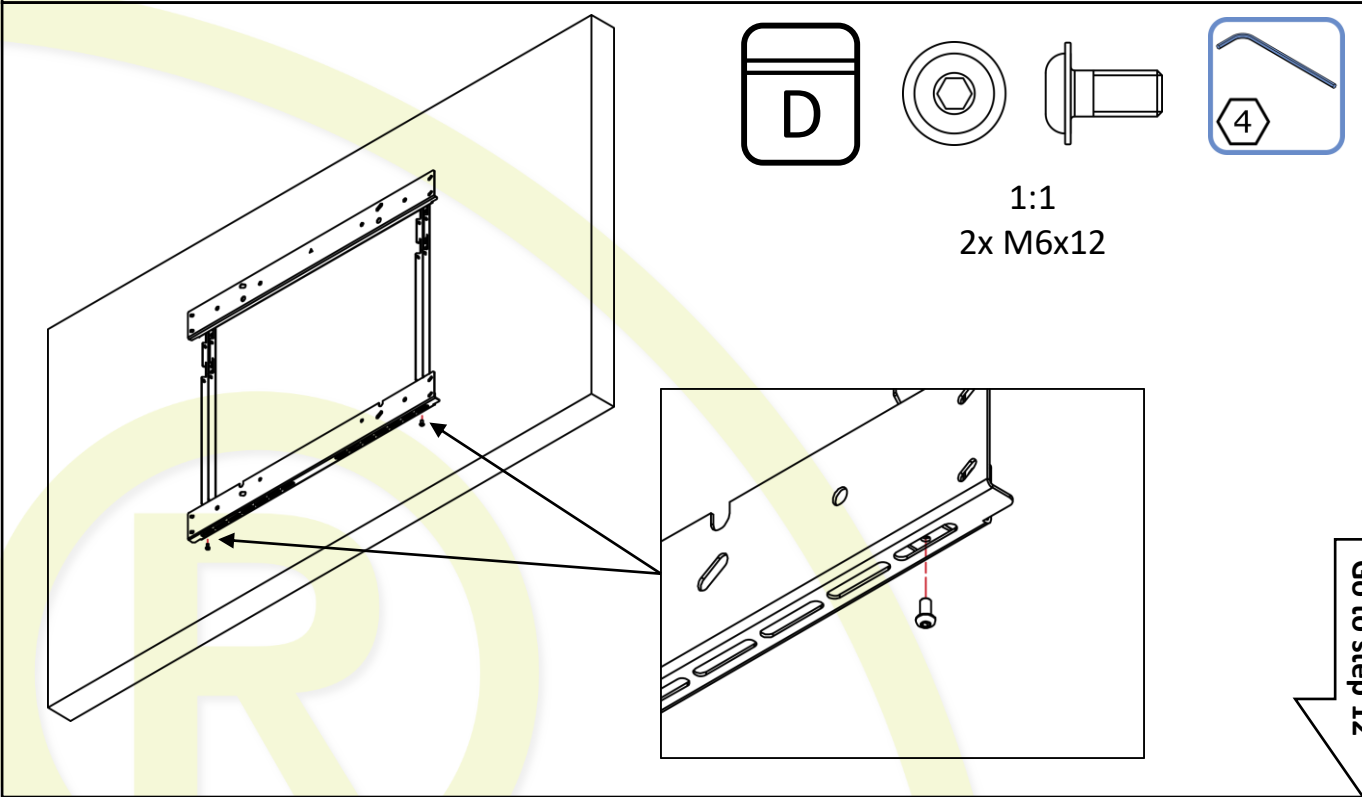
Go to step 11; page 13

Universal Vesa Bracket

For the BalanceBox®400, BalanceBox®650 and accessories

11

Lock the VESA bracket with the lock screws; M6x12 from bag D



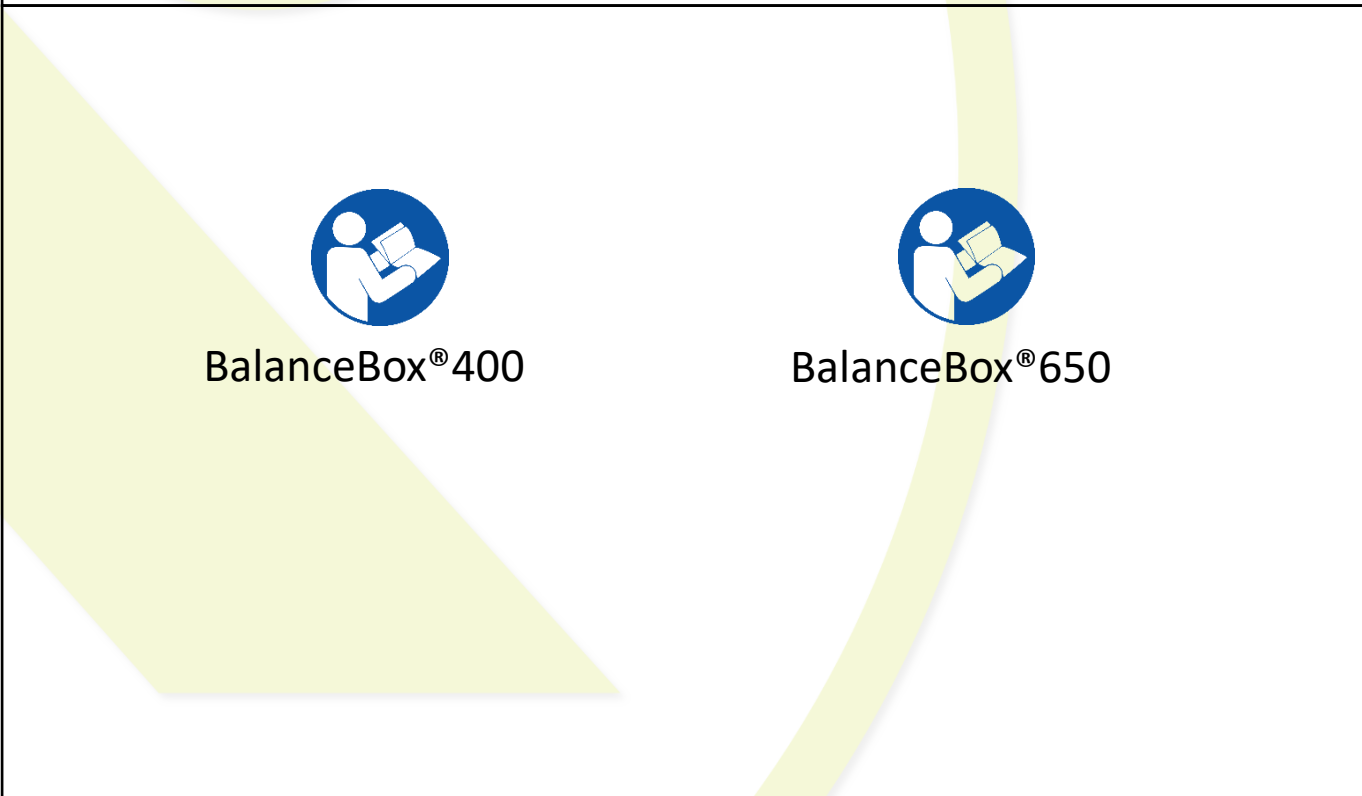
D

1:1
2x M6x12

4

Go to step 12

12



BalanceBox® 400

BalanceBox® 650

13

Universal Vesa Bracket

For the BalanceBox®400, BalanceBox®650 and accessories



Universal Vesa Bracket

For the BalanceBox®400, BalanceBox®650 and accessories



Part nr. 902916-02